





SKU: BV5015

-  2 - Pce Full Bore Fire Safe Heavy Duty Direct Mount Ball Valve
-  2 - teilig mit vollem Durchgang Fire Safe Heavy Duty Direct Mount Kugelhahn
-  2 - Pza paso total Válvula de bola de fuego pesado Monte Segura obligación directa
-  2 - Pce passage intégral Fire Safe Heavy Duty montage direct Ball Valve

Valves[™]
O N L I N E

- 1/4 " - 3" 2-Pce Full Bore Fire Safe Heavy Duty Direct Mount Ball Valve
- 1/4 " - 3" 2- tlg voller Durchgang Fire Safe Heavy Duty Direct Mount Kugelhahn
- 1/4 " - 3" 2 - Pza completo taladro de la válvula de bola de Mount Fire Safe Heavy Duty directo
- 1/4 " - 3" 2 - Pce passage intégral Fire Safe Heavy Duty montage direct Ball Valve

Direct Mount 2 Piece Stainless Steel Ball Valve



ISO 5211 Mounting Top for easy Actuation
Full Bore with BSPP ISO 228/1 Threads
Approved to ATEX
NACE MR-0175 compliant
2000 PSI Rated to 1" and 1500PSI to 3"
A cost effective valve suitable for Steam
and High Temperature media.

Description

A two piece full bore ball valve, Heavy duty ASTM A351 CF8M 316 Stainless Steel construction, 316 Trim. . BSP Ends - BSPP ISO 228/1TFM 4215® Ball Seats with Grafoil Body and Stem Seals. Ta-Luft self adjusting stem. ISO 5211 Direct Mounting Pad and Square Stem for automation. Anti-Static devices for Ball-Stem-Body. ATEX approved. Nace MR-0175 compliant. A cost effective valve suitable for Steam and High Temperature media. Class 800 (2000 psi) pressure rated 1/2" - 1" Class 600 (1500 psi) 1 1/4" - 3" Silicone Free. Valve suitable for use on Oil based Paints.



Description

2 piece direct mount heavy duty ball valve in 316 CF8M stainless steel with TFM 4215 Ball Seats and Grafoil body/stem seals. Anti-Static devices for Ball-Stem-Body. ATEX approved. 2000 psi/g pressure rated up to 1" & 1500 PSI to 3".
Screwed BSPP



Beschreibung

2 Stück Direct Mount Schwerlastkugelventilin 316 CF8M Edelstahl mit TFM 4215 Kugelsitze und Grafoil Körper / Schaftdichtungen . Anti-Static -Geräte für die Ball - Stem - Körper. ATEX-Zulassung . 2000 psi / g Druck bis bewertet 1 " & 1500 psi bis 3 " . Screwed BSPP



Descripción

2 piezas de montaje directo válvula esférica de alta resistencia en 316 CF8M acero inoxidable con TFM 4215 asientos de bola y los sellos Grafoil cuerpo / madre . Dispositivos antiestáticos para Ball- Stem - Cuerpo. ATEX aprobado . 2000 psi / g de presión nominal de hasta 1 " y 1.500 PSI a 3" . Screwed BSPP



Description

2 pièces à montage direct lourde vanne de voir de ballon en acier inoxydable 316 CF8M avec TFM 4215 Sièges à billes et joints corps Grafoil / souches . Les dispositifs anti - statiques pour Ball -Stem - corps . ATEX approuvé . / G pression de 2000 psi évalué à 1 " et 1500 psi à 3 " . Screwed BSPP

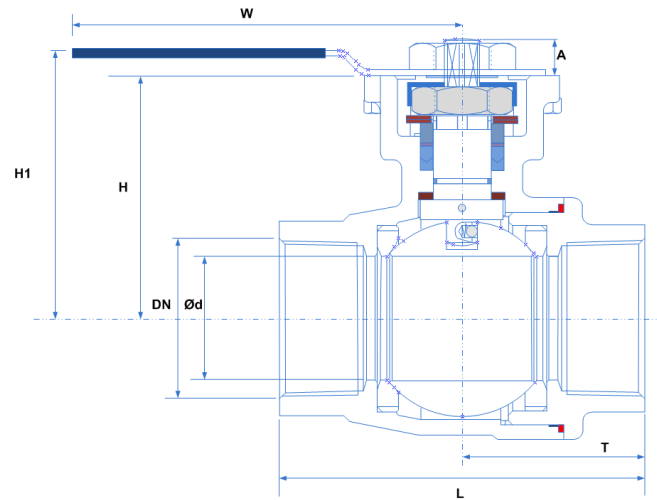
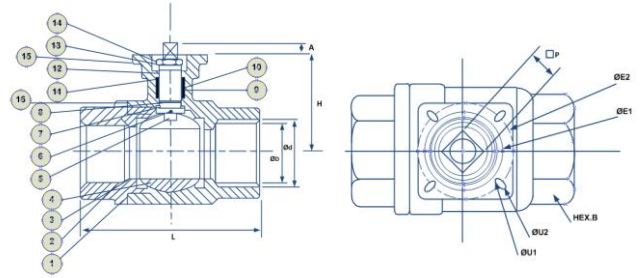
1/2"-1" Class 800 (2000 PSI)
1 1/4"-3" Class 600 (1500 PSI)



- 2 - Pce Full Bore Fire Safe Heavy Duty Direct Mount Ball Valve
- 2 -teilig mit vollem Durchgang Fire Safe Heavy Duty Direct Mount Kugelhahn
- 2 - Pza paso total Válvula de bola de fuego pesado Monte Segura obligación directa
- 2 - Pce passage intégral Fire Safe Heavy Duty montage direct Ball Valve

Heavy Duty 2 Piece Stainless Steel Ball Valve

ISO 5211 Mounting Top for easy Actuation
 Full Bore with BSPP ISO 228/1 Threads
 Approved to ATEX
 NACE MR-0175 compliant
 2000 PSI Rated to 1" and 1500PSI to 3"
 A cost effective valve suitable for Steam
 and High Temperature media.



Material List		
Item	Description	Material
1	Body	CF8M CF8 WCB
2	End Cap	CF8M CF8 WCB
3	Ball Seat	TFM 4215
5	Stem	SUS 316 SUS 304
6	Anti-static Device	SUS 316 SUS 304
7	Thrush Washer	PTFE
8	O-Ring	FKM
9	Stem Packing	PTFE / Grafoil
10	Bushing	50%SS + 50%PTFE SUS 304
11	Gland	SUS 316
12	Belleville Washer	SUS 301
13	Stem Nut	A194-8
14	Stop-Lock-Cap	SUS 304
15	Hex Bolting	A193-B8
16	Body Gasket	PTFE / Grafoil

Dimensions										
Size	Ød	L	H	H1	W	T	A	P	Torque*	ISO 5211
1/4"	10.6	62	43.1	70	145	29	9	9	4.5nm	F03-F04
3/8"	12.7	62	43.1	70	145	29	9	9	4.5nm	F03-F04
1/2"	15	75	43.1	70	145	34.5	9	9	5nm	F03-F04
3/4"	20	80	50.7	78	145	37	9	9	6nm	F03-F05
1"	25	90	58	89	175	45	11	11	10nm	F04-F05
1 1/4"	32	110	63	93.5	175	51	11	11	13nm	F04-F07
1 1/2"	38	120	74	106	190	60	14	14	19nm	F05-F07
2"	50	140	83.5	115.5	190	70	14	14	28.5nm	F05-F07
2 1/2"	63.5	185	102.3	150.5	265	92.5	17	17	45nm	F07-F10
3"	76	205	110.7	160	300	102.5	17	17	72nm	F07-F10