



Description:

Perseus range of pressure switches are manufactured from robust high quality housings with options of 1 or 2 sealed SPDT microswitches. The switch has been designed for use in environments where explosive gases can be present (e.g. gas fields, oil rigs & chemical plants).

One of the benefits of the Perseus range is the separation of the flameproof and adjustment chambers allowing adjustment of the set point with power on and the switch in operation.

FEATURES

Black anodised aluminium switchcase to IP67 standards.
Internal adjustment scale.

SIL 2 – IEC61508 proven reliability

Single or dual microswitch option.

Settings from 8 mBar to 250mBar

ATEX/IECEX Flameproof version
CE II2G Exd IIC
T6 Ta = - 50 to +74°C & T5 Ta = - 50 to +89°C. (with or without resistors)

OPTIONS

ATEX/IECEX/AEx Intrinsically safe
CE II1G Exia IIC
T6 - 50 to +78°C, T5 +93°C, T4 +128°C
(without resistors)

ATEX/IECEX/AEx Intrinsically safe
CE II1G Exia IIC
T5 - 50 to +72°C & T4 - 50 to +122°C
Wetted parts NACE MR-01-75 compliant

Exd Flameproof - Perseus Low Pressure Switch

- Set point adjustment between 8 & 250 mBar
- Black Anodised IP67 Aluminium Housing
- Internal adjustment Scale
- SIL 2
- Single or Dual Switching Option
- ATEX/IECEX certified Flameproof Exd
- ¼" BSPP or NPT Female Process connection



Description - Exd

Manufactured in the UK, the Perseus range of Exd pressure switches are designed to work in the most demanding of hazardous areas. Developed for low pressure switching and set points from 8 – 250 mBar. Wetted parts are 316 stainless steel with process connections of ¼" BSPP or NPT. Seal options are offered in Viton or nitrile.



Beschreibung -Exd

Die in Großbritannien hergestellten Perseus-Druckschalter sind für den Einsatz in den anspruchsvollsten Bereichen konzipiert. Entwickelt für Niederdruck-Schalt- und Schaltpunkte von 8 - 250 mBar. Medienberührte Teile sind Edelstahl 316 mit Prozessanschlüssen ¼ "BSPP oder NPT. Dichtungsoptionen werden in Viton oder Nitril angeboten.



Descripción - Exd

Fabricadas en el Reino Unido, la gama de presostatos Perseus está diseñada para trabajar en las áreas más peligrosas y peligrosas. Desarrollado para conmutación a baja presión y puntos de ajuste de 8 a 250 mBar. Las piezas húmedas son de acero inoxidable 316 con conexiones de proceso de ¼ "BSPP o NPT. Las opciones de sellado se ofrecen en Viton o nitrilo.



La description-Exd

Fabriqué au Royaume-Uni, la gamme de pressostats Perseus est conçue pour fonctionner dans les zones dangereuses les plus exigeantes. Développé pour la commutation basse pression et les points de consigne de 8 à 250 mBar. Les pièces en contact avec le fluide sont en acier inoxydable 316 avec raccords process ¼ "BSPP ou NPT. Les options d'étanchéité sont offertes en Viton ou en nitrile.



All information is sourced from our manufacturer's data and is intended for guidance only - ValvesOnline can accept no liability for changes, omissions or errors.

LOW PRESSURE RANGES

Viton or Nitrile diaphragm

ADJUSTMENT RANGE MBAR	ADJUSTMENT RANGE "WG	MAX. WORKING PRESSURE (BAR)	DEADBAND MBAR	DIAPHRAGM CODE	SPRING CODE
50 - 250	20 - 100	7	5 - 10	3	B
8 - 128	5 - 50	5	4 - 6	4	B

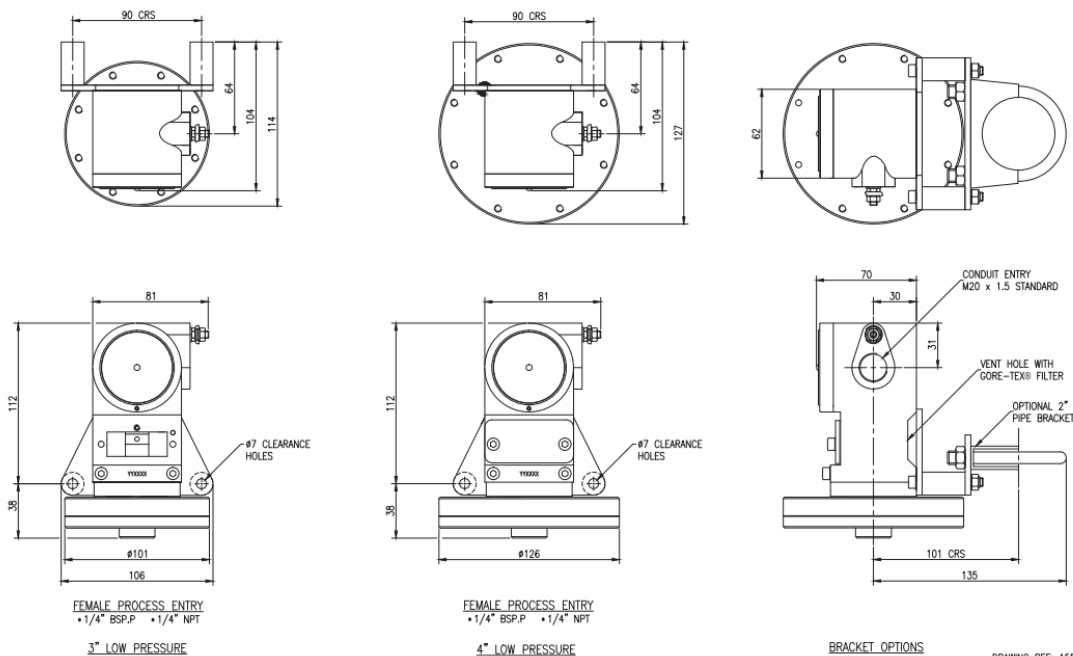
PART NUMBER BREAKDOWN		ELECTRIC CONNECTION _ = M20 LEAVE BLANK C = 1/2" NPT ADAPTOR F = M25 ADAPTOR		
SWITCHCASE PF6 = STANDARD PR6 = WITH RESISTORS	MICROSWITCH OPTIONS 1 = 1 X SPDT 2 = 2 X SPDT DUAL SWITCHES ARE MECHANICALLY LINKED TO PROVIDE DPDT SWITCHING	SPRING CODE PLEASE REFER TO RANGE TABLE	DIAPHRAGM CODE PLEASE REFER TO RANGE TABLE	BRACKET C = STANDARD J = 2" PIPE BRK

P F 6 1 A B / 8 B F S 4 1 / C B _

SWITCHCASE MATERIAL A = BLACK ANODISED ALUMINIUM	DIAPHRAGM 8 = NITRILE 9 = VITON	PROCESS CONNECTION 1 = 1/4" BSP/F FEMALE 2 = 1/4" NPT FEMALE
CERTIFICATION O = ATEX/IECEx Exia INTRINSICALLY SAFE B = ATEX/IECEx Exd FLAMEPROOF A = INDUSTRIAL / MARINE	PRESSURE HOUSING FS = - 316 ST STEEL	ELECTRICAL CONNECTION ENTRY B = RIGHT HAND SIDE

TYPICAL ARRANGEMENT DRAWING FOR REFERENCE ONLY

DIMENSIONS IN MILLIMETERS UNLESS OTHERWISE STATED



DRAWING REF: 1559/A1

PERSEUS Exd

INTRODUCTION

The Perseus pressure, vacuum, differential pressure, temperature, and level switches are designed for use in environments where explosive gases can be present (e.g. Gas fields, Oil rigs and Chemical plants etc.) and have been ATEX and IECEx certified as detailed overleaf (SIL2 - IEC61508 proven reliability).

These switches are manufactured from a high quality casting which offers robust construction and protection to IP67 for use within heavily polluted industrial environments. A special feature of the instruments is the separation of the flameproof and adjustment compartments allowing for safe on-site adjustment of the set point with power on and the switch in operation.

Perseus Exd switches must be installed in accordance with BS EN 60079-14

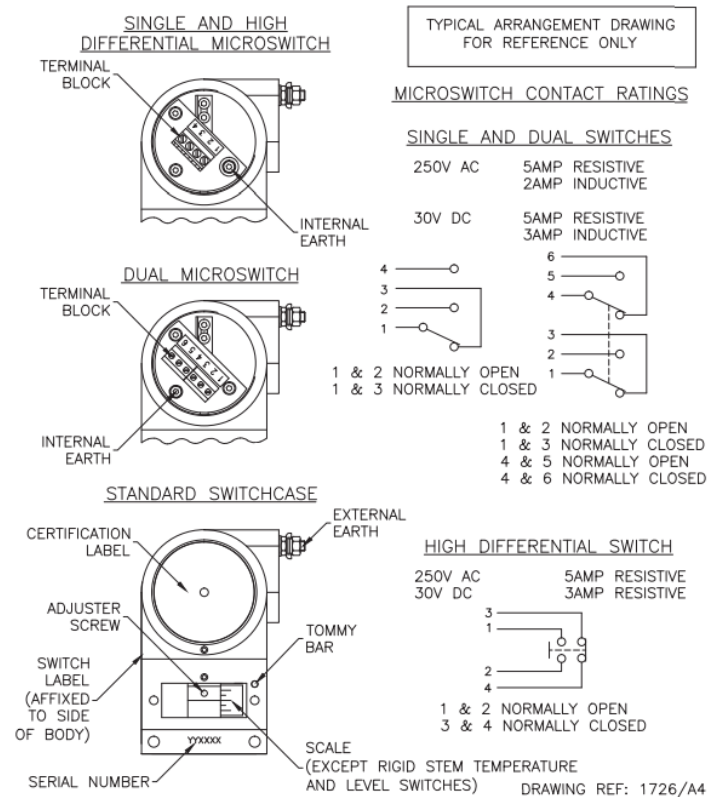
CALIBRATION

The design features a simple form of adjustment against a calibrated scale. This enables a user to order switches set at a predetermined point or stock a mid range setting and adjust switches to suit the particular application.

The set point can be safely adjusted with the switch electrically live.

Adjustment is made by removing the access cover and rotating the set point adjuster using the supplied tommy bar stowed to the right of the scale plate.

The setting is read from the centre of the set point adjuster against the calibrated scale. Rotation to the left will increase the set point and to the right decrease it.



TECHNICAL SPECIFICATION

Switchcase & covers: Black anodised aluminium case and 316 stainless steel adjustment cover.

Microswitch: 1 x SPCO/SPDT or 2 x SPCO/SPDT gold flashed silver contacts. Dual switches are mechanically linked to provide DPDT switching action, reset of switches could be up to 3% apart. Dual microswitches may increase deadband by a factor of two.

Microswitch rating: 5 Amps @ 250 VAC resistive, 2 Amps @ 250VAC inductive
5 Amps @ 30VDC resistive, 3 Amps @ 30 VDC inductive

Electrical Connections: Terminals suitable for cable 0.5 - 2.5 mm².
(Max 1.5 mm² for dual microswitch version)

Electrical Conduit Entry: M20 x 1.5 ISO. ½" NPT via adaptors

Environmental Protection: IP67 in accordance with BS EN 60529 : 1992 & IEC 60529 : 2001.

Vibration and shock parameters: Switches were subjected Lloyds Register Test Specification 1, section 13 BS EN 60068-2-6 : 1996 (Test Fc vibration) and BS EN 60068-2-27 : 1995 (Test Ea shock).

Temperature Limitations: Pressure, Vacuum and Differential Pressure.

Process: Diaphragm actuated (unless otherwise stated) -30 to +90°C (Nitrile) or -20 to +150 Deg.C (Viton). Piston actuated -30 to 120°C (Nitrile), -20 to +150°C (Viton), -50 to +150°C (PTFE) or -30 to +125°C (EPDM).

Ambient: -50 to +85°C (standard). **Storage:** -50 to +85 Deg.C
(For temperature, level and flow switches please refer to specific pages).

Certification: Switches can be supplied for gas environments.

ATEX/IECEX certified Exd Flameproof - Gas (with or without resistors)

CE Ex II2G Exd IIC T* Gb. T6 Tamb -50°C to +74°C, T5 Tamb -50°C to +89°C.

Special conditions for safe use. 1) No modifications must be made to the flamepaths of the unit without consultation of the drawings. 2) When conduit is utilised it must be sealed in accordance with Clause 13.2.2 of EN 60079-1:2007 with a suitably approved (Ex d IIC Gb) conduit sealing devise. 3) Suitably rated cable must be selected based on T Class shown above. 4) Only suitably certified Ex d IIC Gb cable glands to be used.

ATEX/IECEX certified Exia Intrinsically Safe - Gas

CE Ex II1G Exia IIC T6 Ta -50 to +78°C, T5 Ta +93°C, T4 Ta +128°C or

CE Ex II1G Exia IIC T5 Ta -50 to +72°C, T4 Ta +122°C (with resistors).

Special conditions for safe use. 1) Aluminium may only be used when the ignition hazardous assessment shows there is no risk of ignition from incendive impact or abrasion sparks.

AEX certification is available on medium pressure, metal diaphragm and high pressure switches and rigid stem temperature switches.

Accuracy: +/-1% at 20°C.