

SKU: BV5125

- 🇬🇧 High Performance FSAS Flanged Ball Valve
- 🇩🇪 High Performance FSAS Flansch-Kugelhahn
- 🇪🇸 Válvula de bola con bridas FSAS Alto Rendimiento
- 🇫🇷 High Performance FSAS bride Ball Valve

Valves[™]
O N L I N E

- 1/2" - 6" Antistatic & Firesafe Flanged Ball Valve
- 1/2" - 6" Antistatik & Firesafe Flansch-Kugelhahn
- 1/2" - 6" Válvula de bola con bridas antiestático y Firesafe
- 1/2" - 6" Antistatique et Firesafe bride Ball Valve



- Fire-safe and Antistatic
- Full Bore
- ISO Top for Easy Actuation
- Supplied with Lockable Lever
- RTFE seats and Graphite seals

Fire safe Certified the Series 90D is a high performance, flanged ball valve with a PN40 flanges. The valve is a split 2 piece body that is Certified to API 607 4th Edition with Antistatic spring loaded stem to ball and stem to body anti-static device fitted as standard.

The valve has an ISO mounting pad with a square stem top for direct mounting for actuation. A Lockable lever is supplied as standard for manual operation The seats are RTFE with Graphite seals and can be replaced and maintained.

Face to face ANSI B16.10, EN 558-1, GR. 1/GR.27 (DIN 3202-F1, F4/F5) NACE on request.

Mars Series 90D
CF8M – PN40

**FIRE SAFE AND
ANTI – STATIC**
API 607 4th Edition
Certified



Description

Direct mount, flanged manual ball valve full port. Offering high performance, Fire safe seals and antistatic feature.

½" to 6" PN40

Temperature Range -20°C to 180°C.



Beschreibung

Direktmontage , Flansch manuellen Kugelhahn voller Durchgang . Mit hoher Leistung , Feuer sichere Dichtungen und antistatische Eigenschaft .

½ "bis 6" PN40

Temperaturbereich -20 ° C bis 180 ° C .



Descripción

Montaje directo , con bridas de válvula de bola manual de paso completo . Ofreciendo alto rendimiento, los sellos de seguridad contra incendios y la función antiestática.

½ "a 6 " PN40

Rango de temperatura de -20°C a 180°C .



Description

Montage direct , bridé vanne manuelle de la balle complète des ports . Offrant des performances élevées , feu joints sûrs et fonction antistatique .

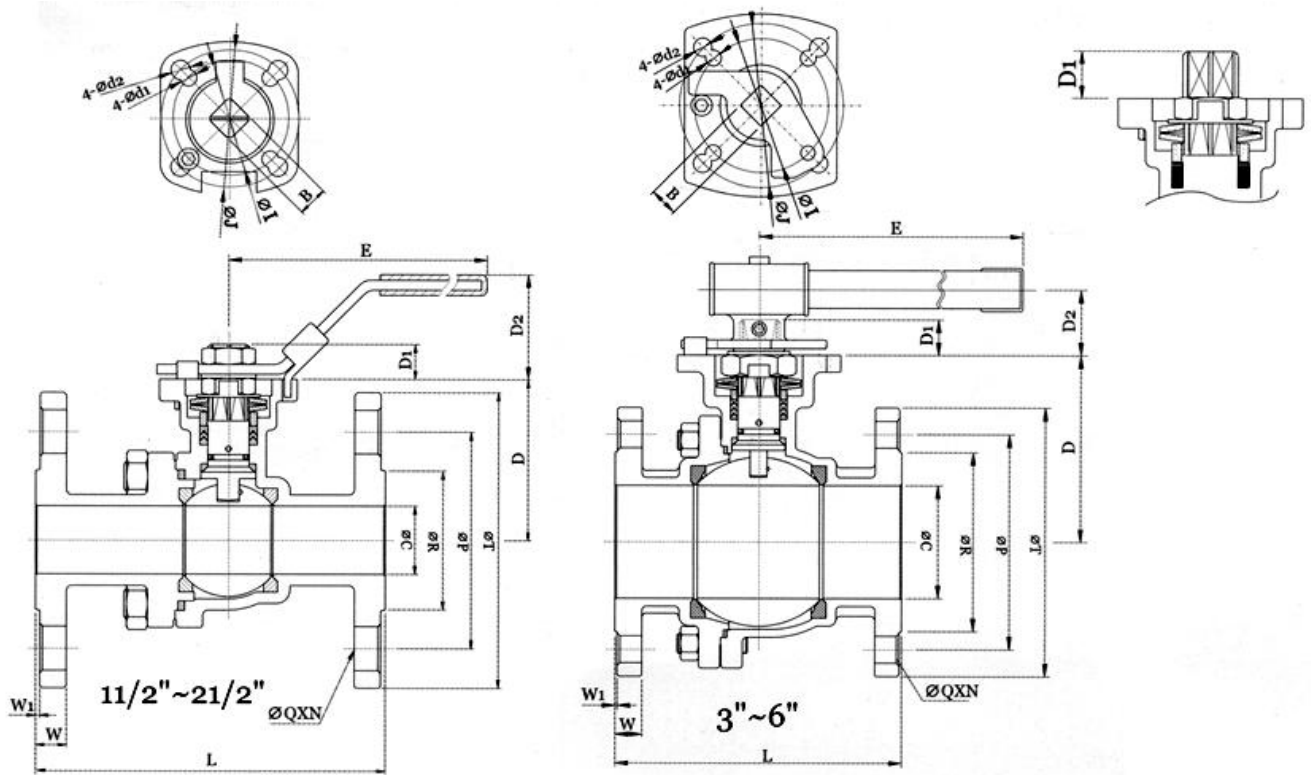
½ " à 6 " PN40

Gamme Température -20°C à 180°C .

**Suitable for both Electric
and Pneumatic Actuation**

-  High Performance FSAS Flanged Ball Valve
-  High Performance FSAS Flanschkgelbahn
-  Válvula de bola con bridas FSAS Alto Rendimiento
-  High Performance FSAS bride Ball Valve

MARS 90D High Performance FSAS PN40 Ball Valve



PN25/40

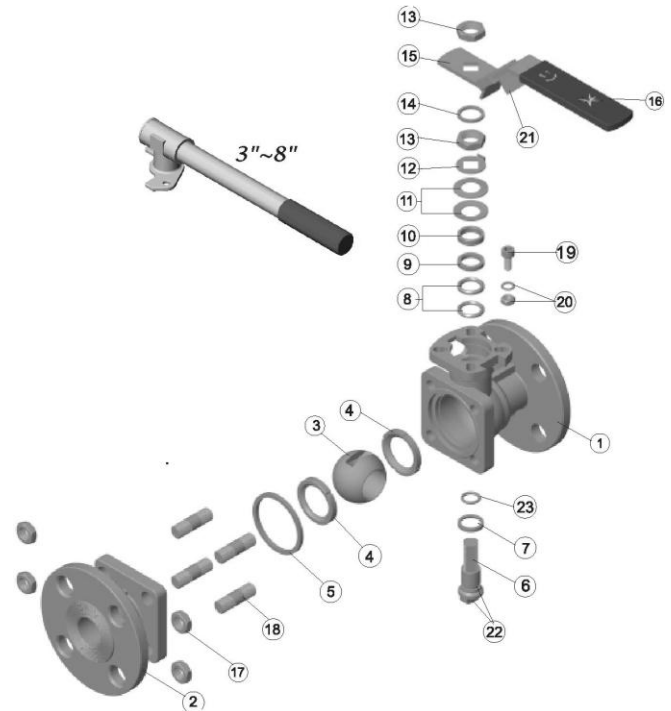
90D - 60 F4 / F5 Dimensions PN25/40

Size	ØC	B	E	D	D1	D2	ØI	ØJ	L		N	ØP	ØQ	ØR	ØT	W	W1	Ød1	Ød2	Wt (kg)	ISO5211
									F4	F5											
1/2"	15	11	165	48.7	9.9	36	42	50	115	/	4	65	14	45	95	16	2	6	7	2.35	F04/F05
3/4"	20	11	165	53.7	9.9	36	42	50	120	/	4	75	14	58	105	18	2	6	7	3.05	F04/F05
1"	25	11	165	58.8	10.3	36	42	50	125	/	4	85	14	68	115	18	2	6	7	3.89	F04/F05
1 1/4"	32	14	215	72.6	12.9	49	50	70	130	/	4	100	18	78	140	18	2	7.5	9	5.78	F05/F07
1 1/2"	38	17/19	262	89.1	19	58	70	102	140	/	4	110	18	88	150	18	3	10	12	7.88	F07/F10
2"	50	17/19	262	96.6	19	58	70	102	150	/	4	125	18	102	165	20	3	10	12	10.16	F07/F10
2 1/2"	65	17/19	262	116	19	58	70	102	170	/	8	145	18	122	185	22	3	10	12	-	F07/F10
3"	80	22	365	132.5	23	46.2	102	125	180	/	8	160	18	138	200	24	3	12	14	21.58	F10/F12
4"	100	22	365	157	23	46.2	102	125	190	/	8	180	18	162	235	24	3	12	14	30.63	F10/F12
6"	150	27	750	210.2	28.5	66.5	125	140	/	350	8	250	26	218	300	28	3	14	18	79.31	F12/F14

-  High Performance FSAS Flanged Ball Valve
-  High Performance FSAS Flansch-Kugelhahn
-  Válvula de bola con bridas FSAS Alto Rendimiento
-  High Performance FSAS bride Ball Valve

MARS 90D High Performance FSAS PN40 Ball Valve

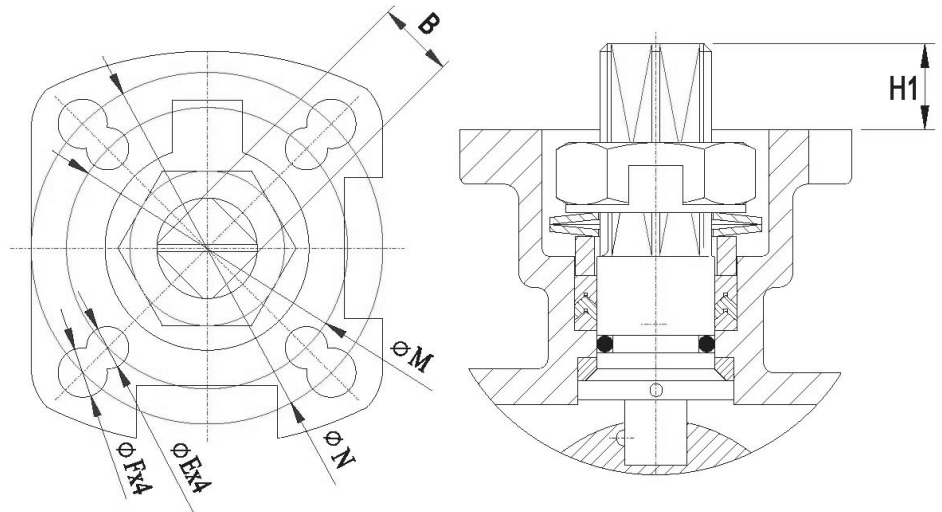
Materials			
No	Part Name	Material	Qty
1	Body	CF8M / WCB	1
2	Cap	CF8M / WCB	1
3	Ball	SUS316	1
4	Seat	RPTFE	1
5	Joint Gasket	PTFE	2
6	O-Ring	Viton	2
7	Stem	SUS304	1
8	Stem Seal	RPTFE	2
9	O-Ring	SUS304	1
10	Gland Packing	PTFE	§
11	Gland Packing	RPTFE	1
12	Gland Bush	SUS304	1
13	Belleville washer	PTFE	1
14	Stop Washer	SUS304	*
15	Stem Nut	SUS304	1
16	Stem Washer	Vinyl	1
17	Handle	25% RTFE	1
18	Stop Pin	SUS304	1
19	Locking Device	SUS304	1
20	Handle Sleeve	SUS304	1
21	Pin Nut		
22	Anti-static Device		



Standard Specification			
Construction	Split Body Flanged Ball Valves, Full Port Investment Cast: 1/2" to 6" Sand Cast 5" to 10"	Compliance Standards	ANSI B16.34, ANSI B16.5, ANSI B16.10, API 6D, API 509, API 607, BS5351, BS6755, ISO5211, DIN3337, DIN 3202, DIN 2501, MSS SP25, MSS SP55
Size Range	1/2" - 6"	Material Certificate	EN 10204 - 3.1
Pressure rating	6098 - 90D Carbon Steel ANSI 150 6097 - 90D Stainless Steel ANSI 150 6099 - 90D Stainless Steel ANSI 300 6087 - 90D Stainless Steel PN16 6085 - 90D Stainless Steel PN40	Quality System	ISO 9001
Valve Material	Standard: ASTM A351 Gr. CF8M / DIN 1.4408 Options: WCB, 316L S/S, Titanium, Duplex, Hastelloy C, Alloy 20	Options	NCE MR - 0175 Stand Valve is non-fire safe design, fire safe valve is optional
Seat Material	Standard: R-TFE / PTFE Options: TFM 1600, PEEK, Carbon Filled PTFE, DERLIN, UHMWPE, 50/50 S/S filled PTFE, Metal Seats... and others	Inspection and Test	API 598, BS6755 Part 1

-  High Performance FSAS Flanged Ball Valve
-  High Performance FSAS Flansch-Kugelhahn
-  Válvula de bola con bridas FSAS Alto Rendimiento
-  High Performance FSAS bride Ball Valve

MARS 90D High Performance FSAS PN40 Ball Valve



Dimensions

Size	B	H1	*H1	ØM	ØN	ØE	#E	ØF	ISO5211
1/2"	11	9.9	9.9	42	50	6.5	6	7	F04/F05
3/4"	11	9.9	10.3	42	50	6.5	6	7	F04/F05
1"	11	10.3	10.3	42	50	6.5	6	7	F04/F05
1 1/4"	14	12.9	12.9	50	70	7.5	7.5	9	F05/F07
1 1/2"	17	19	19	70	102	10	10	12	F07/F10
2"	17	19	19	70	102	10	10	12	F07/F10
2 1/2"	17	19	19	70	102	10	10	12	F07/F10
3"	22	23	23	102	125	12	12	14	F10/F12
4"	22	23	23	102	125	12	12	14	F10/F12
5"	27	28.5	-	125	140	14	14	18	F12/F14
6"	27	28.5	28.5	125	140	14	14	18	F12/F14
8"	36	40	-	140	165	18	-	22	F14/F16
10"	36	40	-	140	165	18	-	22	F14/F16

TORQUE FIGURES

Valve Size		Break Away Torque (R-PTFE Seats)		C.v.
Size	DN	In/LB	Nm	G.P.M
1/2"	15	92	10	28
3/4"	20	127	14	50
1"	25	150	17	95
1 1/4"	32	207	23	132
1 1/2"	40	357	40	260
2"	50	392	44	485
2 1/2"	65	518	59	800
3"	80	852	96	1250
4"	100	1302	147	2250
5"	125	2073	234	3620
6"	100	2188	247	5400

