



## ATEX Electric Actuator HQ006

- Output torques of 60Nm
- Reversible motor with low current consumption
- IP67 weatherproof
- Two M20 cable entries
- Manual override
- Anti-condensation heater
- Four limit switches
- ATEX Approved for Hazardous Areas

Can be used with



### Description

The HQ006 ATEX electric actuator is designed for use in hazardous areas. Ideal for quarter turn applications with Ball and Butterfly Valves.

The actuator is small, lightweight and compact, IP67 protected, but packs a 60Nm output torque and is powered over a wide range of voltages.

The electrical components are all high quality and alloy gearing ensures reliability and long life span. As standard the actuator is fitted with 4 off limit switches, an anti-condensation heater (eliminates moisture build up within the housing), a high visibility optical indicator beacon and a manual override (operated via an Allen key).

The actuator housing is hard anodised inside and out prior to painting giving it increased corrosion protection. The actuator has IAO 5211 Namur footprint for easy mounting of direct pad valves.



### Description

The series HQ006 ATEX electric rotary actuator is a compact and powerful unit which provides a long service life. Materials and components have been chosen for maintenance free operation. The modular design offers many additional features such as limit switches, heaters, optical indicator and manual override.

**Atex Ex II 2 G Ex d IIB T4 Gb**



### Beschreibung

Der elektrische Drehantrieb der Serie HQ006 ATEX ist eine kompakte und leistungsstarke Einheit, die eine lange Lebensdauer bietet. Materialien und Komponenten wurden für wartungsfreien Betrieb ausgewählt. Der modulare Aufbau bietet viele zusätzliche Funktionen wie Endschalter, Heizungen, optische Anzeige und Handnotbetätigung.

**Atex Ex II 2 G Ex d IIB T4 Gb**



### Descripción

El actuador rotativo eléctrico serie HQ006 ATEX es una unidad compacta y potente que proporciona una larga vida útil. Los materiales y componentes se han elegido para un funcionamiento sin mantenimiento. El diseño modular ofrece muchas características adicionales como interruptores de límite, calentadores, indicador óptico y anulación manual.

**Atex Ex II 2 G Ex d IIB T4 Gb**

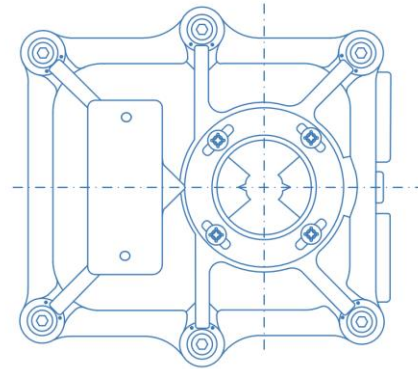
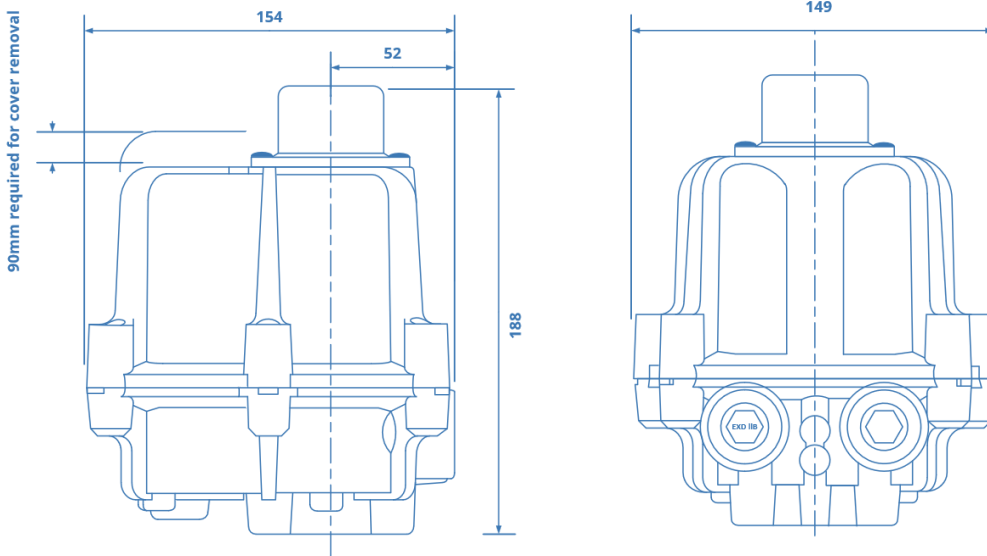


### Description

L'actionneur rotatif électrique ATEX série HQ006 est une unité compacte et puissante qui offre une longue durée de vie. Les matériaux et les composants ont été choisis pour un fonctionnement sans entretien. La conception modulaire offre de nombreuses fonctionnalités supplémentaires telles que des interrupteurs de fin de course, des éléments chauffants, un indicateur optique et une commande manuelle.

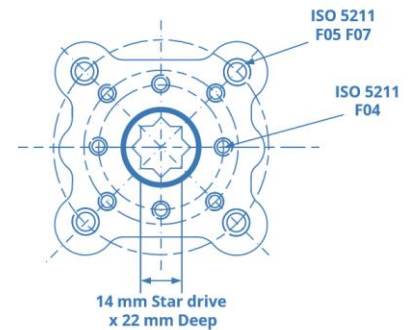
**Atex Ex II 2 G Ex d IIB T4 Gb**

# AP9027



## PERFORMANCE

Maximum Output Torque	Operating Time 50/60Hz	Rated Current (A)				Weight Kg
		AC 1PH, 50 / 60 Hz			DC	
	90°	24V	110V	220V	24V	
60Nm	14 / 12 SECS	1.7	0.4 / 0.4	0.2 / 0.2	1.7	4.5



## Standard Specification

Enclosure	Atex Ex II 2 G Ex d IIB T4 Gb
Power Supply	110/220v 50/60Hz, 24vAC/DC
Duty Cycle (On/Off Duty)	S2 35%
Motor	Reversible Motor
Limit Switches	2 x SPDT, 250v AC 3A
Additional Switches	2 x SPDT, 250v AC 3A
Space Heater	2W (110/220V AC)
Manual Override	Allen Key Operated
Movement Angle	320° ± 10° (0° - 320°)
Ambient Temperature	- - 20°C to 60°C
External Coating	Dry Powder (Polyester)
Motor Class	F
Conduit Entries	2 x M20

