



Series 90D  
PN40



### Description

A combination of a powerful Electric actuator, fitted to our Mars series 90D heavy duty high performance, flanged PN40 ball valve in stainless steel. The valve comprises of a split 2-piece body with seals that are Fire Safe Certified to API 607 4<sup>th</sup> Edition and fitted with an Antistatic spring loaded device. The electric actuator has the capabilities to bring to you adequate support on applications within ATEX explosive atmospheres: II 2 G D - Ex d IIB T6 Gb This unit gives you an exceptional combination, that offers trouble free operation. The actuator can be supplied in a range of voltages and has limit switches, optical indicator manual override and torque limiter.

atex



Fire Safe Tested  
API 607 Rev. 4

## Explosion proof Series 90D Electric Actuated Stainless Steel PN40 Ball Valve - ATEX / FSAS

- ATEX-II 2 G D-Exd IIB T6
- Stainless Steel Body - Full Bore
- Flanged PN40
- Power Close / Power Open
- Fire Safe Seats with Antistatic Device Fitted
- RPTFE Seats



### Description

A stainless steel full bore ball valve flanged PN40 in sizes from DN15-DN150 (½"-6") Fire-Safe and Anti-Static seats and fitted directly onto an electric actuator approved to ATEX II 2G, Eexd IIB T4. Supplied in various voltages and IP65 protected. This combination offers you a powerful unit that's safe in your hazardous environment.



### Beschreibung

Ein Edelstahl-Vollbohrkugelhahnflansch PN40 in den Größen DN15-DN150 (½"-6") Brandschutz- und Antistatik-Sitze und direkt auf einen elektrischen Antrieb montiert, der nach ATEX II 2G, Eexd IIB T4 zugelassen ist Spannungen und IP65 geschützt Diese Kombination bietet Ihnen eine leistungsstarke Einheit, die in Ihrer gefährlichen Umgebung sicher ist.



### Descripción

Una válvula de bola llena de acero inoxidable con brida PN40 en tamaños de DN15-DN150 (½"-6"), asientos Fire-Safe y Anti-Static y montados directamente en un actuador eléctrico aprobado para ATEX II 2G, Eexd IIB T4. voltajes y protección IP65. Esta combinación le ofrece una unidad potente que es segura en su entorno peligroso.



### Descripción

Une vanne à boisseau sphérique à plein diamètre en acier inoxydable à bride PN40 dans les tailles des sièges Anti-statiques DN15-DN150 (½"-6") et installée directement sur un actionneur électrique homologué à ATEX II 2G, Eexd IIB T4. Fourni en plusieurs des tensions et des protections IP65. Cette combinaison vous offre une unité puissante sûre dans votre environnement dangereux.

**Anti-Static Device**  
Stem to Ball and Stem to Body as standard

## PN40

BU3004 Model  
25,45.75BU3004 Model  
VS100, 150, 300

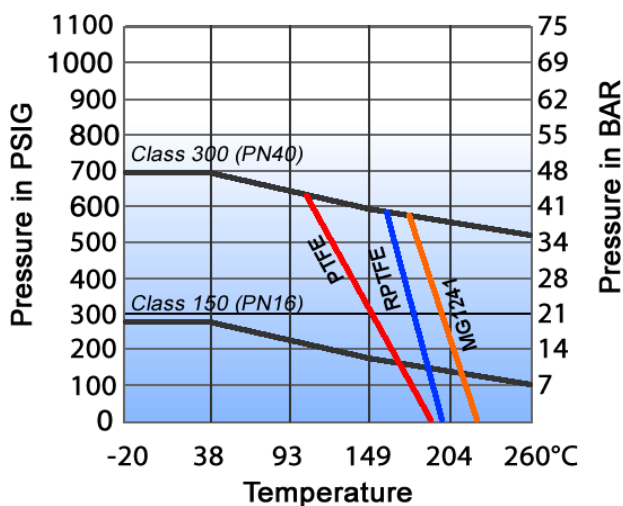
The rotary actuator type BU3004 is a compact, powerful and explosion proofed actuator system which provides a long service life.

Materials and components have been chosen for maintenance-free operation and ensure low thermal loading on the actuator. The modular design offers many options such as extra limit switches or potentiometers, to be added to the basic unit.



Size Full Bore	Electric Actuator Full Bore	L PN40	B	C	A	F	G	E	MTG KIT Req
1/2"	BU3004-VR25	115	48.7		15	45	65	95	No
3/4"	BU3004-VR25	120	53.7		20	58	75	105	No
1"	BU3004-VR25	125	58.8		25	68	85	115	No
1 1/4"	BU3004-VR45	130	72.6		32	78	100	140	No
1 1/2"	BU3004-VR45	140	89.1		40	88	110	150	No
2"	BU3004-VR75	150	96.6		50	102	125	165	No
2 1/2"	BU3004-VR75	170	116		65	122	145	185	No
3"	BU3004-VR150	180	132.5		80	138	160	200	No
4"	BU3004-VR300	190	157		100	162	190	235	No
5"	BU3004-VS300	325	192.7	80	125	188	210	235	Yes
6"	BU3004-VS300	350	210.2	80	150	218	250	300	Yes

Temperature v Pressure Chart



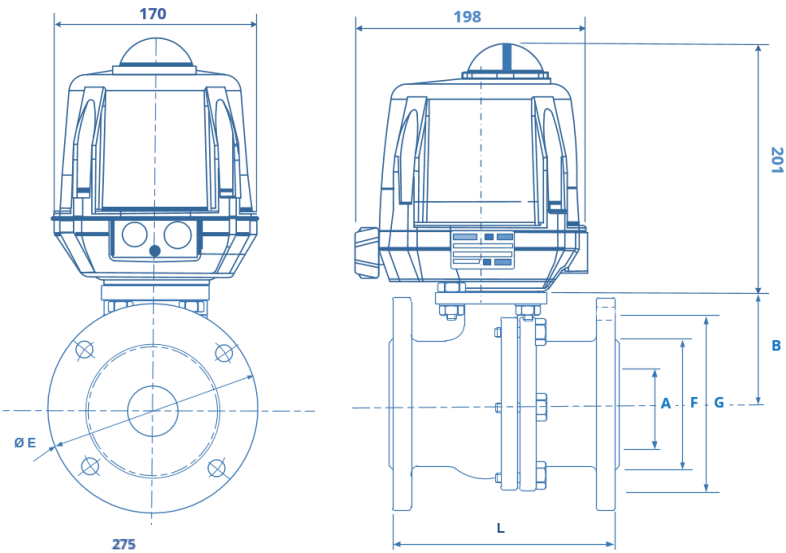
Valve Specification

Pressure Rating	Fig 90D-40 PN 10/16 DIN F4/F5-EN558-1-27
Size	1/2" to 6" Full Bore
Temperature range	minus 20° to + 200° (see graph)
Movement	90 deg turn
Cycle life	1,000,000 operations
<b>Approvals</b>	CE Marked 0035 PED/97/23/EC, TA-Luft ATEX 94/9/EC II 2 GD Fire-Safe Certified to API 607 4th Edition API 6D

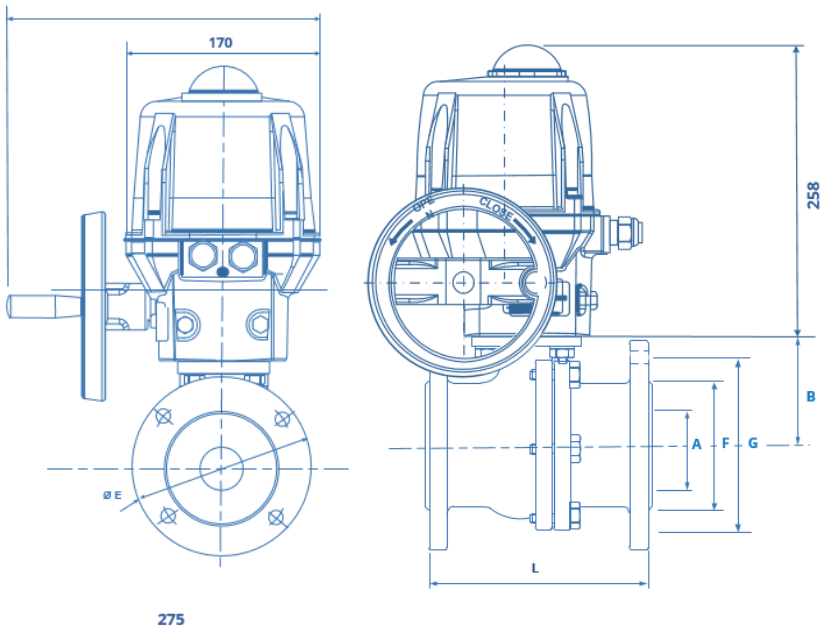


PN40

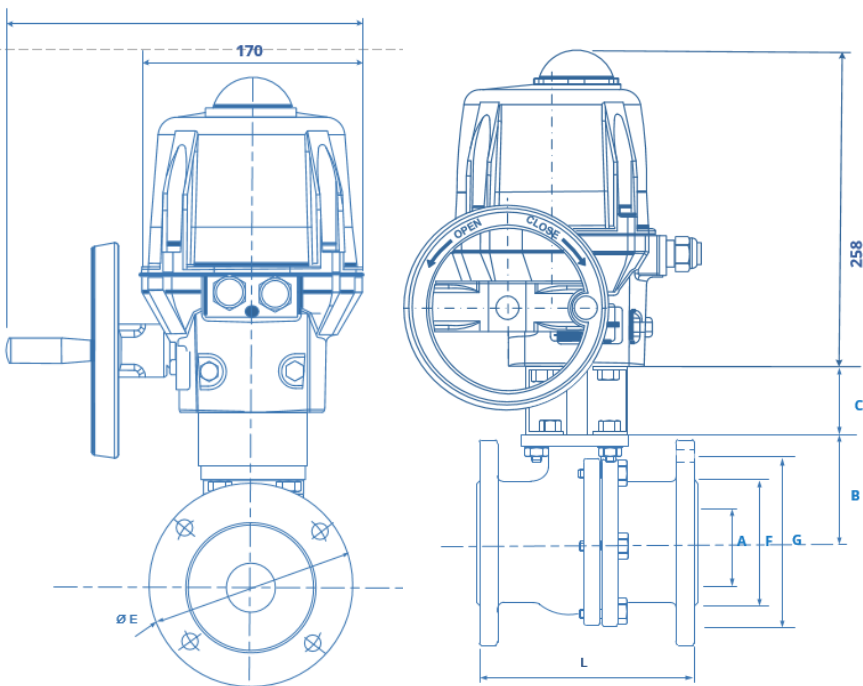
BU3004 - VR25/45/75 1/2" - 2 1/2"  
without Kit



BU3004 - VS100/300 3" - 6"  
without Kit



BU3004 - VS300 5" and 6"  
with Kit



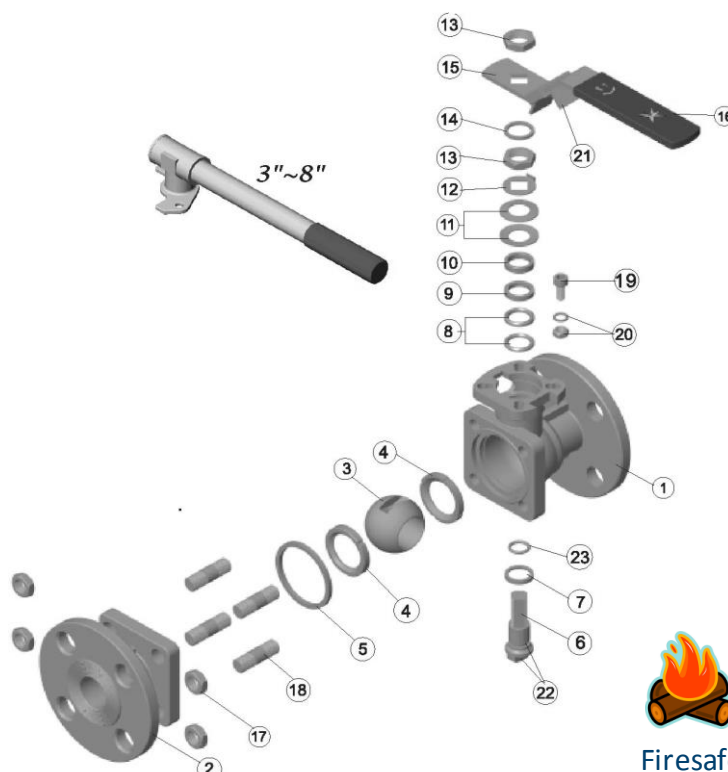
Actuator	Actuator Specification for VR/VS
Enclosure	Weaterproof IP67
Power Supply	110/240V 50/60 Hz or 24 VAC/VDC
Operating Time	see chart
Limit Switches	4 x SPDT, 250V AC 5A
Space Heater	self regulated Anti Condensation Heater
Manual Override	25, 45, 75 NM outgoing axis Handwheel 100,150, 300Nm
Duty Cycle (on/off duty)	At max. torque 50% of the time
Travel Angle	90°
Conduit Entries	2 x cable glands ISO 20
Ambient Temperature	-20°C to + 70°C
Power consumption	45W-85W (see chart)



Actuator Specification								
Type (model)	Max Output Torque	Operating Time 50/60Hz	Motor Class	Power Consumption W				Weight W (kg)
				24VAC	110VAC	220 VAC	24 VDC	
VR25	25NM	7 secs		45	45	45	45	4
VR45	45NM	15 Secs	103/103	45	45	45	45	4
VR75	75NM	20 Secs	185/166	45	45	45	45	4
VS100	100NM	15 Secs	185/166	45	45	45	45	6
VS150	HQ004	30 Secs		45	45	45	45	6
VS300	HQ008	50 Secs		85	85	85	85	6



Valve Materials			
No	Part Name	Material	Qty
1	Body	CF8M / WCB	1
2	Cap	CF8M / WCB	1
3	Ball	SUS316	1
4	Seat	RPTFE	1
5	Joint Gasket	PTFE	2
6	O-Ring	Viton	2
7	Stem	SUS304	1
8	Stem Seal	RPTFE	2
9	O-Ring	SUS304	1
10	Stem Packing	GRAPHITE	2
11	Gland Packing	RPTFE	1
12	Gland Bush	SUS304	1
13	Belleville washer	PTFE	1
14	Stop Washer	SUS304	*
15	Stem Nut	SUS304	1
16	Stem Washer	Vinyl	1
17	Handle	25% RTFE	1
18	Stop Pin	SUS304	1
19	Locking Device	SUS304	1
20	Handle Sleeve	SUS304	1
21	Pin Nut	SS304	1
22	Anti-static Device	SS 316	1



Firesafe  
Tested  
API 607 Rev. 4