

EX5053

Valves
ONLINESeries 90D
ANSI 300

Explosion proof Series 90D Electric Actuated Stainless Steel ANSI 300# Ball Valve ATEX / FSAS

- ATEX-II 2 G D-Exd IIB T6
- Stainless Steel Body – Full Bore
- Flanged ANSI 300#
- Power Close / Power Open
- Fire Safe Seats with Antistatic Device Fitted
- RPTFE Seats



Description

A stainless steel full bore ball valve flanged ANSI 300# in sizes from DN15-DN150 (½"-6") Fire-Safe and Anti-Static seats and fitted directly onto an electric actuator approved to ATEX II 2G, Eexd IIB T4. Supplied in various voltages and IP65 protected. This combination offers you a powerful unit that's safe in your hazardous environment.



Beschreibung

Ein Edelstahl-Vollbohrkugelhahnflansch ANSI 300# in den Größen DN15-DN150 (½"-6") Brandschutz- und Antistatik-Sitze und direkt auf einen elektrischen Antrieb montiert, der nach ATEX II 2G, Eexd IIB T4 zugelassen ist. Spannungen und IP65 geschützt. Diese Kombination bietet Ihnen eine leistungsstarke Einheit, die in Ihrer gefährlichen Umgebung sicher ist.



Descripción

Una válvula de bola llena de acero inoxidable con brida ANSI 300# en tamaños de DN15-DN150 (½"-6"), asientos Fire-Safe y Anti-Static y montados directamente en un actuador eléctrico aprobado para ATEX II 2G, Eexd IIB T4. voltajes y protección IP65. Esta combinación le ofrece una unidad potente que es segura en su entorno peligroso.



Description

Une vanne à boisseau sphérique à plein diamètre en acier inoxydable à bride ANSI 300# dans les tailles des sièges Anti-statiques DN15-DN150 (½"-6") et installée directement sur un actionneur électrique homologué à ATEX II 2G, Eexd IIB T4. Fourni en plusieurs des tensions et des protections IP65. Cette combinaison vous offre une unité puissante sûre dans votre environnement dangereux.

Description

A combination of a powerful Electric actuator, fitted to our Mars series 90D heavy duty high performance, flanged ANSI 300# ball valve in stainless steel. The valve comprises of a split 2-piece body with seals that are Fire Safe Certified to API 607 4th Edition and fitted with an Antistatic spring loaded device. The electric actuator has the capabilities to bring to you adequate support on applications within ATEX explosive atmospheres: II 2 G D - Ex d IIB T6 Gb. This unit gives you an exceptional combination, that offers trouble free operation. The actuator can be supplied in a range of voltages and has limit switches, optical indicator manual override and torque limiter.



Fire Safe Tested
API 607 Rev. 4

Anti-Static Device

Stem to Ball and Stem to Body as standard

All information is sourced from our manufacturer's data and is intended for guidance only - Valves Online can accept no liability for changes, omissions or errors.



**BU3004 Model
25,45.75**

**BU3004 Model
VS100, 150, 300**

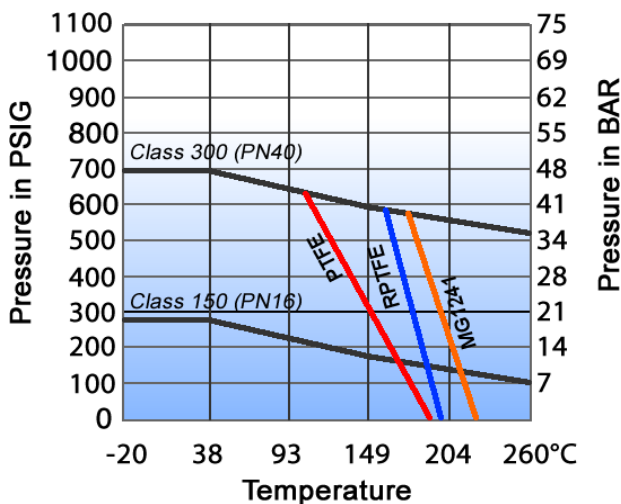
The rotary actuator type BU3004 is a compact, powerful and explosion proofed actuator system which provides a long service life.

Materials and components have been chosen for maintenance-free operation and ensure low thermal loading on the actuator. The modular design offers many options such as extra limit switches or potentiometers, to be added to the basic unit.

ANSI 300#

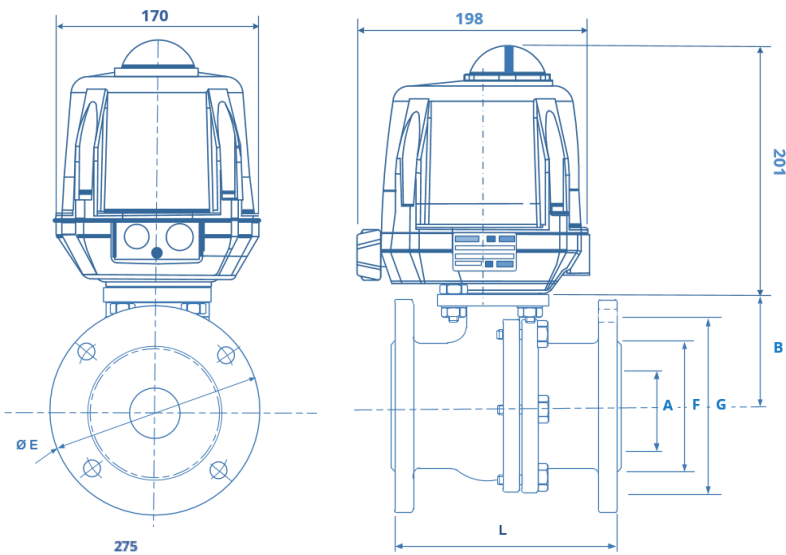
| Size Full Bore | Electric Actuator Full Bore | L PN16 | B | C | A | F | G | E | MTG KIT Req |
|-------------------|-----------------------------------|-----------|-------|----|-----|-------|-------|-------|-------------------|
| 1/2" | BU3004-VR25 | 139 | 48.7 | | 15 | 35.1 | 66.5 | 95.3 | No |
| 3/4" | BU3004-VR25 | 152 | 53.7 | | 20 | 42.9 | 82.6 | 117.3 | No |
| 1" | BU3004-VR25 | 165 | 58.8 | | 25 | 50.8 | 88.9 | 124 | No |
| 1 1/4" | BU3004-VR45 | | 72.6 | | 32 | 73.2 | 114.3 | 155.4 | No |
| 1 1/2" | BU3004-VR45 | 190 | 89.1 | | 38 | 91.9 | 127 | 155.4 | No |
| 2" | BU3004-VR75 | 216 | 96.6 | | 50 | 104.6 | 127 | 165.1 | No |
| 2 1/2" | BU3004-VR75 | 241 | 116 | | 65 | 127 | 149.4 | 190.5 | No |
| 3" | BU3004-VR150 | 282 | 132.5 | | 80 | 157.2 | 168.2 | 209.6 | No |
| 4" | BU3004-VR300 | 305 | 157 | | 100 | 215.9 | 200.2 | 254 | No |
| 5" | BU3004-VS300 | | 192.7 | 80 | 125 | 188 | 210 | 250 | Yes |
| 6" | BU3004-VS300 | 403 | 210.2 | 80 | 150 | 212 | 269.7 | 317.5 | Yes |

Temperature v Pressure Chart

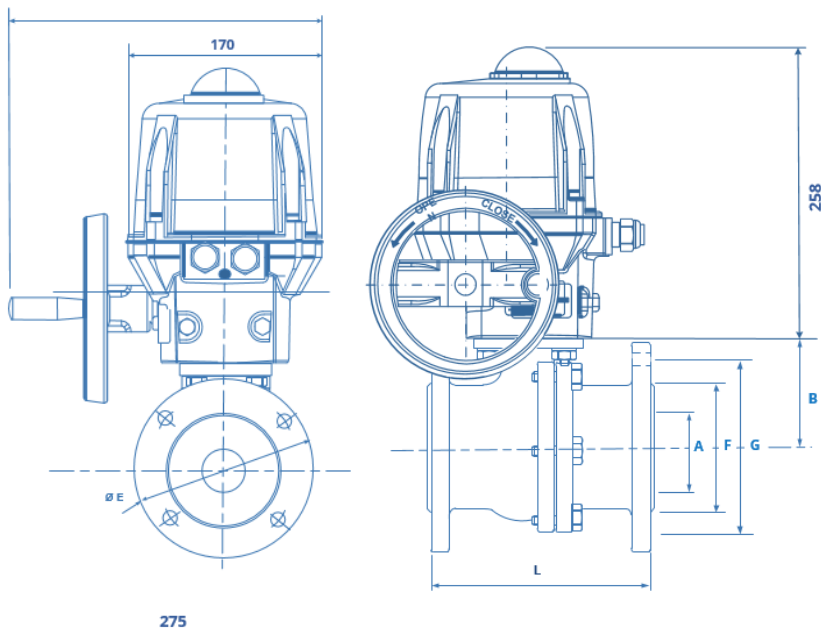


Valve Specification

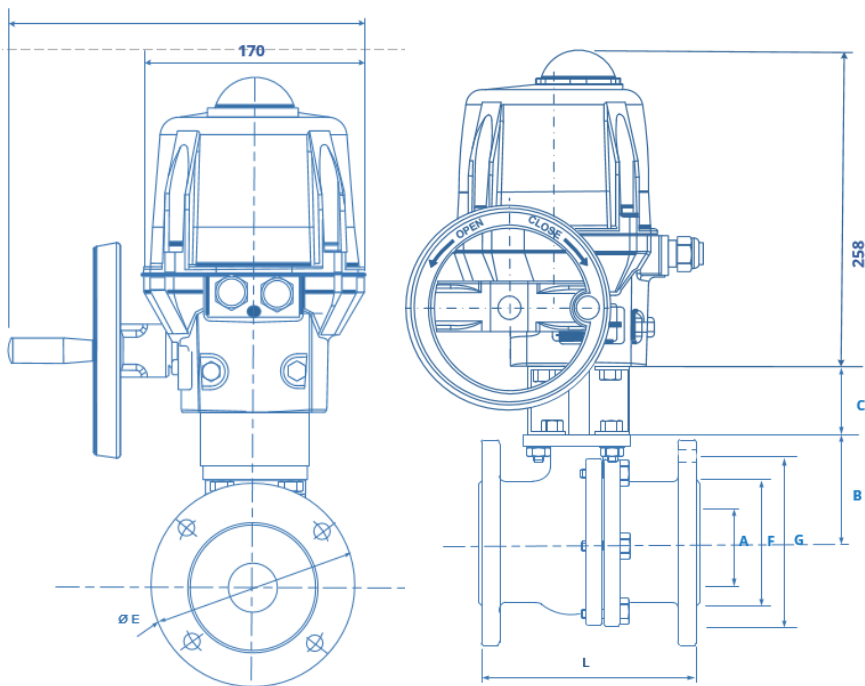
| | |
|-------------------|---|
| Pressure Rating | ANSI 300# |
| Size | 1/2" to 6" Full Bore |
| Temperature range | minus 20° to + 200° (see graph) |
| Movement | 90 deg turn |
| Cycle life | 1,000,000 operations |
| Approvals | CE Marked 0035 PED/97/23/EC, TA-Luft ATEX 94/9/EC II 2 GD Fire-Safe Certified to API 607 4th Edition API 6D |



BU3004 - VR25/45/75 1/2" - 21/2"
without Kit



BU3004 - VS100/300 3" - 6"
without Kit



BU3004 - VS300 5" and 6"
with Kit

| Actuator | Actuator Specification for VR/VS |
|--------------------------|---|
| Enclosure | Weaterproof IP67 |
| Power Supply | 110/240V 50/60 Hz or 24 VAC/VDC |
| Operating Time | see chart |
| Limit Switches | 4 x SPDT, 250V AC 5A |
| Space Heater | self regulated Anti Condensation Heater |
| Manual Override | 25, 45, 75 NM outgoing axis Handwheel 100,150, 300Nm |
| Duty Cycle (on/off duty) | At max. torque 50% of the time |
| Travel Angle | 90° |
| Conduit Entries | 2 x cable glands ISO 20 |
| Ambient Temperature | -20°C to + 70°C |
| Power consumption | 45W-85W (see chart) |



Actuator Specification

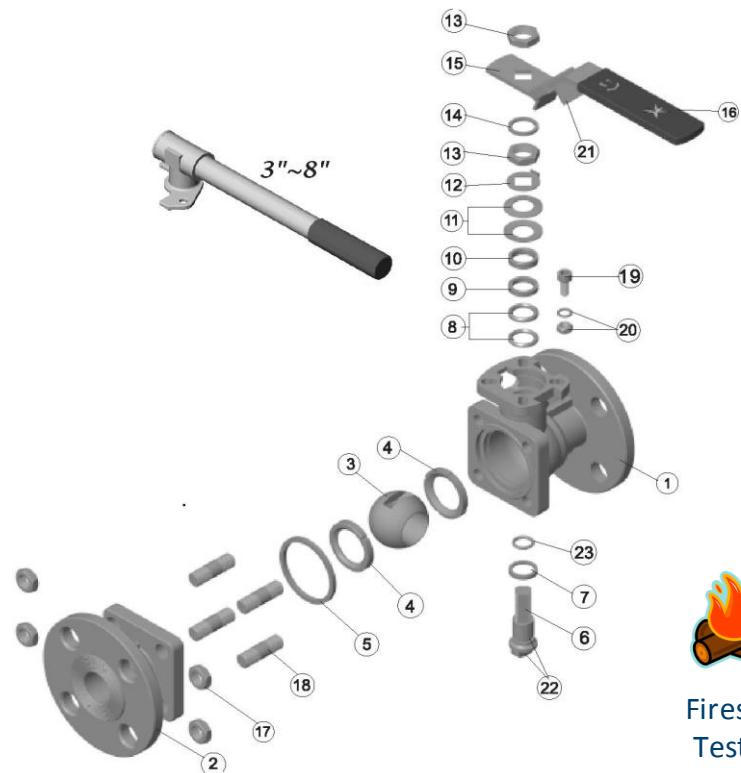
| Type (model) | Max Output Torque | Operating Time 50/60Hz | Motor Class | Power Consumption W | | | | Weight W (kg) |
|--------------|-------------------|------------------------|-------------|---------------------|--------|---------|--------|---------------|
| | | | | 24VAC | 110VAC | 220 VAC | 24 VDC | |
| VR25 | 25NM | 7 secs | | 45 | 45 | 45 | 45 | 4 |
| VR45 | 45NM | 15 Secs | 103/103 | 45 | 45 | 45 | 45 | 4 |
| VR75 | 75NM | 20 Secs | 185/166 | 45 | 45 | 45 | 45 | 4 |
| VS100 | 100NM | 15 Secs | 185/166 | 45 | 45 | 45 | 45 | 6 |
| VS150 | 150NM | 30 Secs | | 45 | 45 | 45 | 45 | 6 |
| VS300 | 300NM | 50 Secs | | 85 | 85 | 85 | 85 | 6 |



atex

Valve Materials

| No | Part Name | Material | Qty |
|----|--------------------|------------|-----|
| 1 | Body | CF8M / WCB | 1 |
| 2 | Cap | CF8M / WCB | 1 |
| 3 | Ball | SUS316 | 1 |
| 4 | Seat | RPTFE | 1 |
| 5 | Joint Gasket | PTFE | 2 |
| 6 | O-Ring | Viton | 2 |
| 7 | Stem | SUS304 | 1 |
| 8 | Stem Seal | RPTFE | 2 |
| 9 | O-Ring | SUS304 | 1 |
| 10 | Stem Packing | GRAPHITE | 2 |
| 11 | Gland Packing | RPTFE | 1 |
| 12 | Gland Bush | SUS304 | 1 |
| 13 | Belleville washer | PTFE | 1 |
| 14 | Stop Washer | SUS304 | * |
| 15 | Stem Nut | SUS304 | 1 |
| 16 | Stem Washer | Vinyl | 1 |
| 17 | Handle | 25% RTFE | 1 |
| 18 | Stop Pin | SUS304 | 1 |
| 19 | Locking Device | SUS304 | 1 |
| 20 | Handle Sleeve | SUS304 | 1 |
| 21 | Pin Nut | SS304 | 1 |
| 22 | Anti-static Device | SS 316 | 1 |



Firesafe
Tested
API 607 Rev. 4