

EX5051

Valves  
ONLINESeries 90D  
ANSI 150

## Explosion proof Series 90D Electric Actuated Stainless Steel ANSI 150 Ball Valve

### ATEX / FSAS

- ATEX-II 2 G D-Exd IIB T6
- Stainless Steel Body – Full Bore
- Flanged ANSI 150
- Power Close / Power Open
- Fire Safe Seats with Antistatic Device Fitted
- RPTFE Seats



#### Description

A stainless steel full bore ball valve flanged ANSI 150 in sizes from DN15-DN150 (½"-6") Fire-Safe and Anti-Static seats and fitted directly onto an electric actuator approved to ATEX II 2G, Eexd IIB T4. Supplied in various voltages and IP65 protected. This combination offers you a powerful unit that's safe in your hazardous environment.



#### Beschreibung

Ein Edelstahl-Vollbohrkugelhahnflansch ANSI 150 in den Größen DN15-DN150 (½"-6") Brandschutz- und Antistatik-Sitze und direkt auf einen elektrischen Antrieb montiert, der nach ATEX II 2G, Eexd IIB T4 zugelassen ist Spannungen und IP65 geschützt Diese Kombination bietet Ihnen eine leistungsstarke Einheit, die in Ihrer gefährlichen Umgebung sicher ist.



#### Descripción

Una válvula de bola llena de acero inoxidable con brida ANSI 150 en tamaños de DN15-DN150 (½"-6"), asientos Fire-Safe y Anti-Static y montados directamente en un actuador eléctrico aprobado para ATEX II 2G, Eexd IIB T4. voltajes y protección IP65. Esta combinación le ofrece una unidad potente que es segura en su entorno peligroso.



#### Description

Une vanne à boisseau sphérique à plein diamètre en acier inoxydable à bride ANSI 150 dans les tailles des sièges Anti-statiques DN15-DN150 (½"-6") et installée directement sur un actionneur électrique homologué à ATEX II 2G, Eexd IIB T4. Fourni en plusieurs des tensions et des protections IP65. Cette combinaison vous offre une unité puissante sûre dans votre environnement dangereux.

### Description

A combination of a powerful Electric actuator, fitted to our Mars series 90D heavy duty high performance, flanged ANSI 150 ball valve in stainless steel. The valve comprises of a split 2-piece body with seals that are Fire Safe Certified to API 607 4<sup>th</sup> Edition and fitted with an Antistatic spring loaded device. The electric actuator has the capabilities to bring to you adequate support on applications within ATEX explosive atmospheres: II 2 G D - Ex d IIB T6 Gb This unit gives you an exceptional combination, that offers trouble free operation. The actuator can be supplied in a range of voltages and has limit switches, optical indicator manual override and torque limiter.



Fire Safe Tested  
API 607 Rev. 4

#### Anti-Static Device

Stem to Ball and Stem to Body as standard

All information is sourced from our manufacturer's data and is intended for guidance only - Valves Online can accept no liability for changes, omissions or errors.



BU3004 Model  
25,45.75

BU3004 Model  
VS100, 150, 300

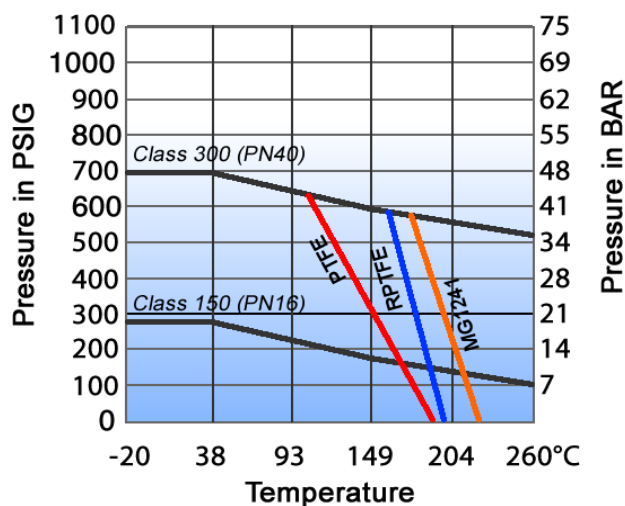
The rotary actuator type BU3004 is a compact, powerful and explosion proofed actuator system which provides a long service life.

Materials and components have been chosen for maintenance-free operation and ensure low thermal loading on the actuator. The modular design offers many options such as extra limit switches or potentiometers, to be added to the basic unit.

**ANSI 150#**

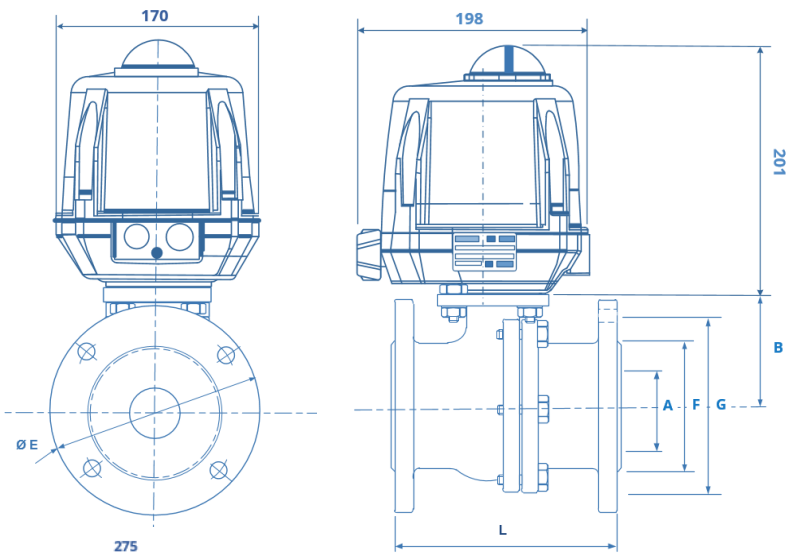
Size Full Bore	Electric Actuator Full Bore	L ANSI 150	B	C	A	F	G	E	MTG KIT Req
1/2"	BU3004-VR25	108	46.7		15	35.1	60.5	88.9	No
3/4"	BU3004-VR25	117	51.2		20	42.9	69.9	98.6	No
1"	BU3004-VR25	127	58.8		25	50.8	79.2	108	No
1 1/4"	BU3004-VR45	140	72.6		32	63.5	88.9	117.3	No
1 1/2"	BU3004-VR45	165	89.1		40	73.2	98.6	127	No
2"	BU3004-VR75	178	96.6		50	91.9	120.7	152.4	No
2 1/2"	BU3004-VR75	190	116		65	104.6	139.7	177.8	No
3"	BU3004-VR150	203	132.5		80	127	152.4	190.5	No
4"	BU3004-VR300	228	157		100	157.2	190.5	228.6	No
5"	BU3004-VS300	355	192.7	80	125	185.7	215.9	254	Yes
6"	BU3004-VS300	393	210.2	80	150	215.9	241.3	279.4	Yes

**Temperature v Pressure Chart**

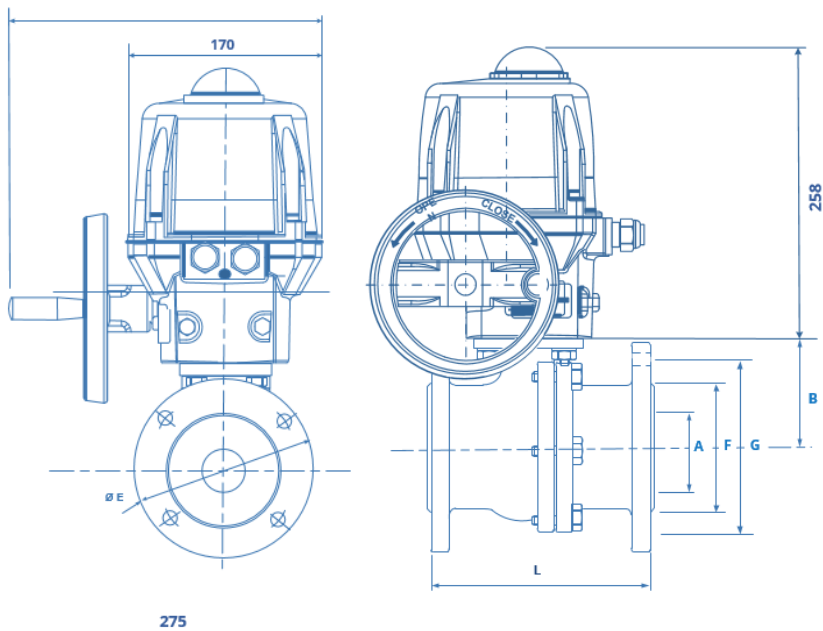


**Valve Specification**

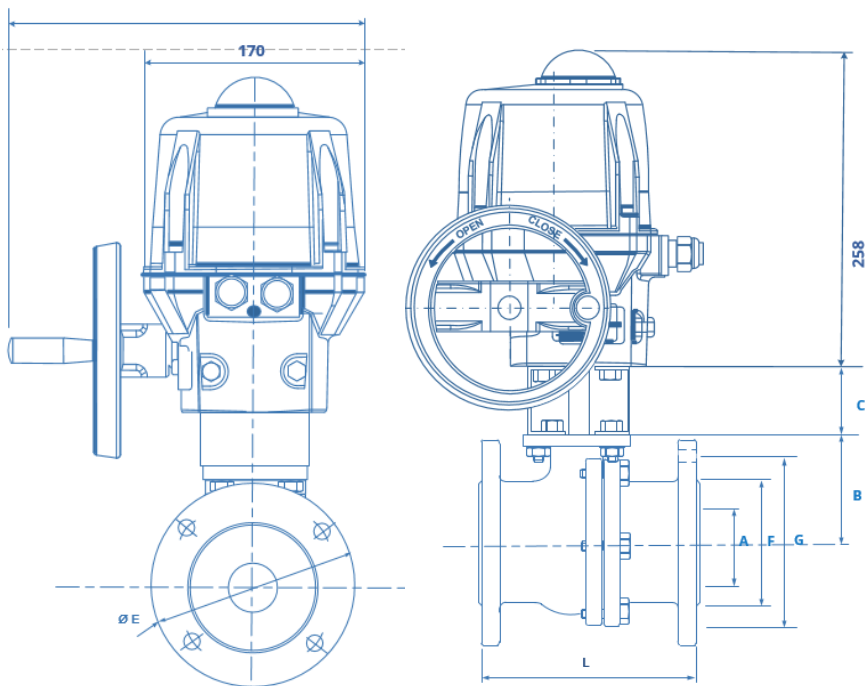
Pressure Rating	Fig 90D-ANSI 150# and ANSI 300#
Size	1/2" to 6" Full Bore
Temperature range	minus 20° to + 200° (see graph)
Movement	90 deg turn
Cycle life	1,000,000 operations
<b>Approvals</b>	CE Marked 0035 PED/97/23/EC, TA-Luft ATEX 94/9/EC II 2 GD Fire-Safe Certified to API 607 4th Edition API 6D



BU3004 - VR25/45/75 1/2" - 21/2"  
without Kit



BU3004 - VS100/300 3" - 6"  
without Kit



BU3004 - VS300 5" and 6"  
with Kit

Actuator	Actuator Specification for VR/VS
Enclosure	Weaterproof IP67
Power Supply	110/240V 50/60 Hz or 24 VAC/VDC
Operating Time	see chart
Limit Switches	4 x SPDT, 250V AC 5A
Space Heater	self regulated Anti Condensation Heater
Manual Override	25, 45, 75 NM outgoing axis Handwheel 100,150, 300Nm
Duty Cycle (on/off duty)	At max. torque 50% of the time
Travel Angle	90°
Conduit Entries	2 x cable glands ISO 20
Ambient Temperature	-20°C to + 70°C
Power consumption	45W-85W (see chart)

**ANSI 150#**



## Actuator Specification

Type (model)	Max Output Torque	Operating Time 50/60Hz	Motor Class	Power Consumption W				Weight W (kg)
				24VAC	110VAC	220 VAC	24 VDC	
VR25	25NM	7 secs		45	45	45	45	4
VR45	45NM	15 Secs	103/103	45	45	45	45	4
VR75	75NM	20 Secs	185/166	45	45	45	45	4
VS100	100NM	15 Secs	185/166	45	45	45	45	6
VS150	150NM	30 Secs		45	45	45	45	6
VS300	300NM	50 Secs		85	85	85	85	6



**atex**

## Valve Materials

No	Part Name	Material	Qty
1	Body	CF8M / WCB	1
2	Cap	CF8M / WCB	1
3	Ball	SUS316	1
4	Seat	RPTFE	1
5	Joint Gasket	PTFE	2
6	O-Ring	Viton	2
7	Stem	SUS304	1
8	Stem Seal	RPTFE	2
9	O-Ring	SUS304	1
10	Stem Packing	GRAPHITE	2
11	Gland Packing	RPTFE	1
12	Gland Bush	SUS304	1
13	Belleville washer	PTFE	1
14	Stop Washer	SUS304	*
15	Stem Nut	SUS304	1
16	Stem Washer	Vinyl	1
17	Handle	25% RTFE	1
18	Stop Pin	SUS304	1
19	Locking Device	SUS304	1
20	Handle Sleeve	SUS304	1
21	Pin Nut	SS304	1
22	Anti-static Device	SS 316	1



Firesafe  
Tested  
API 607 Rev. 4