





SKU: BV5169

-  VOLT PN16 Carbon Steel Flanged Ball Valve
-  VOLT PN16 Carbon Steel Flansch-Kugelhahn
-  VOLT Válvula de bola con bridas PN16 acero al carbono
-  VOLT PN16 à brides en acier au carbone Ball Valve

Valves[™]
O N L I N E

- 1/2" - 8" Carbon Steel PN16 Flanged Ball Valve
- 1/2" - 8" Kohlenstoffstahl PN16 Flansch-Kugelhahn
- 1/2" - 8" Válvula de bola con bridas de acero al carbono PN16
- 1/2" - 8" En acier au carbone PN16 bride Ball Valve



- Fire-safe and Antistatic
- Full Bore
- ISO Top for Easy Actuation
- Supplied with Lockable Lever
- RTFE seats and Graphite seals

Volt BV5169 is a high performance, flanged carbon steel ball valve with PN16 flanges. The valve is a split 2 piece body that is **Fire Safe** Certified to API 607 4th Edition with Antistatic spring loaded stem to ball and stem to body **anti-static** device fitted as standard.

The valve has an ISO mounting pad with a square stem top for direct mounting for actuation. A Lockable lever is supplied as standard for manual operation. The seats are RTFE with Graphite seals and can be replaced and maintained.

TA_LUFT/ATEX/FIRESAFE API 607
NACE MR0175 /3.1/CE ABOVE 1"

VOLT PN16 Carbon Steel Ball Valve

**FIRE SAFE AND
ANTI - STATIC**
API 607 4th Edition
Certified



Description

Direct mount, carbon steel flanged manual 2 piece ball valve full port. Offering high performance, Fire safe seals and antistatic feature. Lever operator (lockable)
1/2" to 8" PN16
Temperature Range -10°C to 200°C.



Beschreibung

Direktmontage, Flansch Kohlenstoffstahl-Handbuch 2 Stück Kugelhahn voller Durchgang. Mit hoher Leistung, Feuer sichere Dichtungen und antistatische Eigenschaft. Lever-Operator (abschließbar)
1/2" bis 8" PN16
Temperaturbereich -10 ° C bis 200 ° C.



Descripción

Montaje directo, acero al carbono con bridas manual de 2 piezas puerto lleno válvula de bola. Ofreciendo alto rendimiento, los sellos de seguridad contra incendios y la función antiestática. Operador de palanca (con llave)
1/2" a 8" PN16
Rango de temperatura de -10°C a 200°C.



Description

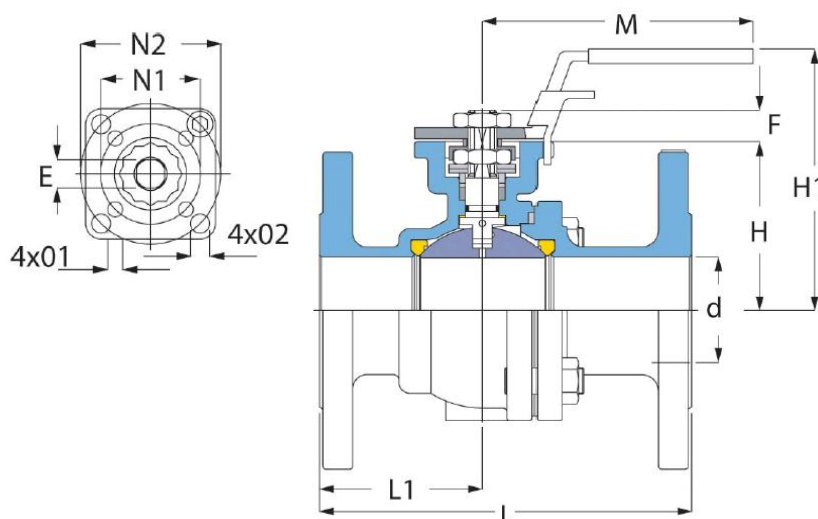
Montage direct, acier au carbone bridé manuel 2 pièce complète des ports de soupape de balle. Offrant des performances élevées, feu joints sûrs et fonction antistatique.
Opérateur de levier (verrouillable)
1/2" à 8" PN16
Gamme température de -10°C à 200°C

**Suitable for both Electric
and Pneumatic Actuation**

-  VOLT PN16 Carbon Steel Flanged Ball Valve
-  VOLT PN16 Carbon Steel Flansch-Kugelhahn
-  VOLT Válvula de bola con bridas PN16 acero al carbono
-  VOLT PN16 à brides en acier au carbone Ball Valve

VOLT PN16 Flanged Carbon Steel Ball Valve

A two-piece carbon steel ball valve with full bore, flanged to DIN PN16 or PN40. Floating ball with TFM1600 seals and operated by a lever, T-bar Handle or gearbox. This type of ball valve is generally used in industrial systems such as water, gases, and corrosive media, up to a maximum of 40 bar (PN40 version).



Information			
Size	DN	Pressure Rating	Operation
1/2"	15	PN40	Lever
3/4"	20	PN40	Lever
1"	25	PN40	Lever
1 1/4"	32	PN40	Lever
1 1/2"	38	PN40	Lever
2"	50	PN40	Lever
2 1/2"	65	PN16	Lever
3"	80	PN40	Lever
4"	100	PN16	T-Bar
5"	125	PN40	T-Bar
6"	150	PN16	T-Bar
8"	200	PN40	None

Materials			
No	Part Name	Material	EN or DIN
1	Body	Cast Steel	GP240GH (GS-C25)
2	Ball	Stainless Steel	1.4308
3	Stem	Stainless Steel	1.4301
4	Seat	PTFE	TFM1600
5	Stem Seal	Graphite	
6	O-Ring	Viton	
7	Body Gasket	spiral wound	1.4401
8	Lever DN15-80	Stainless Steel	1.4301
9	T Bar DN100-150	Galvanised Steel	

Dimensions PN16															
Size	DN	L	L1		M	H	F	H1	N1	N2	nx01	nx02	E	Wt (kg)	
			PN16	PN40										PN16	PN40
1/2"	15	115		49.5	145	48	9	79	36	42	4x6	4x6	9		2.4
3/4"	20	120		54	145	53	9	84	36	42	4x6	4x6	9		3.2
1"	25	125		56	175	58.5	11	90.5	42	50	4x6	4x7	11		4.2
1 1/4"	32	130		57.4	175	71	11	103	42	50	4x6	4x7	11		5.5
1 1/2"	38	140		58	194	76	14	111	50	70	4x7	4x9	14		6.9
2"	50	150		63	194	85	14	120	50	70	4x7	4x9	14		9.5
2 1/2"	65	170	69	64	265	101.5	17	150	70	102	4x9	4x11	17	13.8	13.8
3"	80	180	74.5	69.5	265	111.5	17	160	70	102	4x9	4x11	17	17.7	17.8
4"	100	190	83	78	400	140	22	182		102		4x11	22	25.2	30.5
5"	125	325	153	160	600	183	27	260		125		4x14	27	60	62.5
6"	150	350	162	176	800	202	27	280		125		4x14	27	71.8	73.8
8"	200	400	191	221		252.5	27	279.5		125		4x14	27	127	152