



## 2 Piece Carbon Steel Ball Valve, BSPP, Lever Handle

- Full Bore Design
- Screwed BSPP Female Thread
- Rated 1000 PSI
- Sizes 1/2"-2"
- Lever Design Lockable
- RPTFE Seats & PTFE Seals
- Blow Out Proof Stem
- WCB Carbon Steel Body
- ATEX Approved, Anti-Static Device

### Description

An Economical and reliable full bore, two piece WCB Carbon steel ball valve. Compact and reliable. The valve ensures tight shut off and is versatile over a wide range of flowing media. ATEX Approved and fitted with anti static device and supplied complete with a lockable lever handle. The valve has the additional safety feature of an anti-blowout stem. Investment cast with low torque and high flow. This valve provides safe operation in both general Industrial and Chemical applications. Non Maintainable. Sizes from 1/2" - 2" BSPP Female.



### Description

Manufactured in WCB Carbon steel, full bore and BSPP threads, RPTFE seats and PTFE seals that offer low torque and high flow. This valve provides safe operation in isolating applications. ATEX Approved, ANTI Static Device. Non Maintainable. Lockable lever handle. Temperature -10°C to 180°C



### Beschreibung

Hergestellt aus WCB-Kohlenstoffstahl, Volldurchgangs- und BSPP-Gewinden, RPTFE-Sitzen und PTFE-Dichtungen, die ein niedriges Drehmoment und einen hohen Durchfluss bieten. Dieses Ventil bietet einen sicheren Betrieb in isolierenden Anwendungen. ATEX-zugelassenes, antistatisches Gerät. Nicht wartbar. Abschließbarer Hebelgriff. Temperatur -10°C bis 180°C



### Descripción

Fabricado en acero al carbono WCB, paso total y roscas BSPP, asientos de RPTFE y sellos de PTFE que ofrecen bajo torque y alto flujo. Esta válvula proporciona un funcionamiento seguro en aplicaciones de aislamiento. Dispositivo ANTI estático aprobado por ATEX. No Mantenible. Manija de palanca bloqueable. Temperatura -10 ° C a 180 ° C



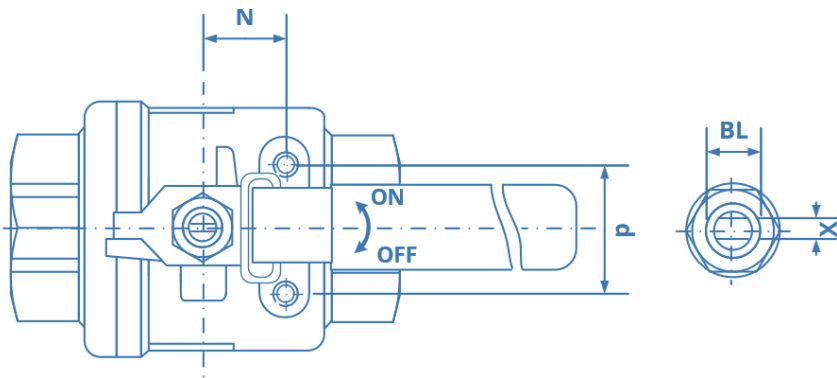
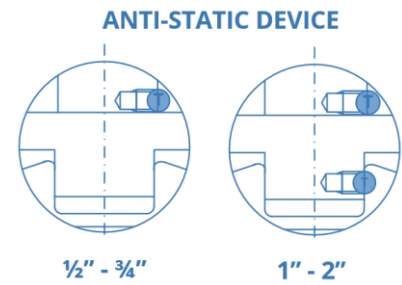
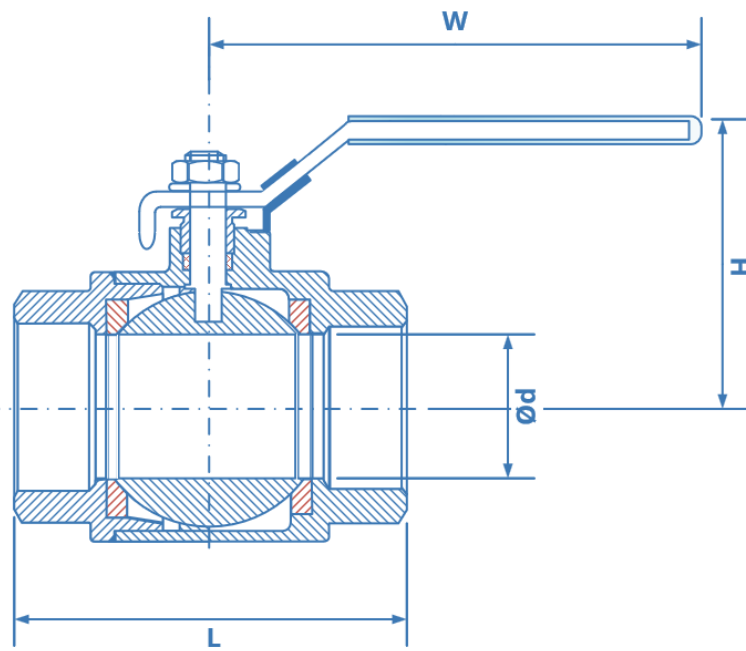
### Description

Fabriqué en acier au carbone WCB, filetages à passage intégral et BSPP, sièges RPTFE et joints PTFE qui offrent un faible couple et un débit élevé. Cette vanne offre un fonctionnement sûr dans les applications d'isolement. Approuvé ATEX, Dispositif ANTI Statique. Non maintenable. Poignée à levier verrouillable. Température -10°C à 180°C



**ATEX Approved  
Product, fitted  
with Anti-Static  
Device**

# BV5013

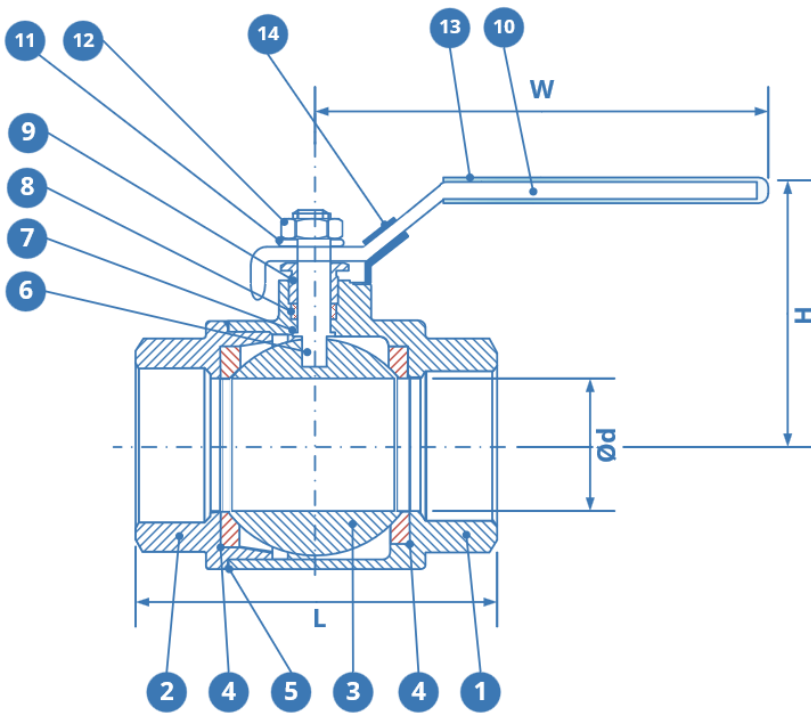


## Dimensions

Size	Ød	L	H	W	X	N	p	BL	kg
1/2"	15	57	54	92	5	12.5	25	5/16"	0.29
3/4"	20	65	63	110	6.5	21	24	3/8"	0.42
1"	25	76	77	137	8	22.5	33.5	7/16"	0.71
1 1/4"	32	87.5	81	137	8	23.5	38.1	7/16"	1.06
1 1/2"	38	102	98	165	9	23.5	38.1	1/2"	1.68
2"	50	122	105	165	9	23.5	38.1	1/2"	2.71



All information is sourced from our manufacturer's data and is intended for guidance only - Valves Online can accept no liability for changes, omissions or errors.



## Technical and Parts List

No.	Part Name	Material
1	Body	ASTM A216 WCB
2	Cap	ASTM A216 WCB
3	Ball	ASTM A351Gr. CF8M
4	Ball Seat	2 x RPTFE
5	Joint Gasket	PTFE
6	Stem	304 Stainless Steel
7	Thrust Washer	PTFE
8	Stem Packing	PTFE
9	Gland nut	304 Stainless Steel
10	Handle	430 Stainless Steel
11	Spring Washer	304 Stainless Steel
12	Stem Nut	304 Stainless Steel
13	Handle Sleeve	Plastic
14	Locking device	430 Stainless Steel

## Specification

Pressure range	1000 PSI 1/2" - 1 1/2"
	800 PSI 2"
Temperature range	-10°C to + 180°
Movement	90 deg turn
Thread	BSPP Female

## PRESSURE / TEMPERATURE CHART

