



2 Piece Stainless Steel Ball Valve, BSPP M x F Lever Handle

- Full Bore Design
- Screwed BSPP Male x Female Thread
- Rated PN63
- Sizes 1/4"-2"
- Lever Design Lever
- PTFE Seats & Seals
- Blow Out Proof Stem
- Stainless Steel Body, Ball and Stem
- ATEX Approved

Description

An Economical and reliable full bore, two piece ball valve. Compact and reliable. Manufactured in stainless steel. The valve ensures tight shut off and is versatile over a wide range of flowing media. Fitted complete with Lever handle. The valve has the additional safety feature of an anti-blowout stem. Investment cast with low torque and high flow. This valve provides safe operation in both general Industrial and Chemical applications. Non Maintainable. Sizes from 1/4" - 2" BSPP M x F.



Description

Manufactured in CF8M stainless steel, full bore and BSPP threads, PTFE seats and seals that offer low torque and high flow. This valve provides safe operation in isolating applications.
Non Maintainable. lever handle.
Temperature -10°C to 180°C



Beschreibung

Hergestellt aus CF8M-Edelstahl, vollem Durchgang und BSPP-Gewinde, PTFE-Sitzen und -Dichtungen, die ein niedriges Drehmoment und einen hohen Durchfluss bieten. Dieses Ventil bietet einen sicheren Betrieb in isolierenden Anwendungen. Nicht wartbar. Hebelgriff.
Temperatur -10°C bis 180°C



Descripción

Fabricado en acero inoxidable CF8M, paso total y roscas BSPP, asientos y sellos de PTFE que ofrecen bajo torque y alto flujo. Esta válvula proporciona un funcionamiento seguro en aplicaciones de aislamiento. No Mantenible. palanca.
Temperatura -10 ° C a 180 ° C

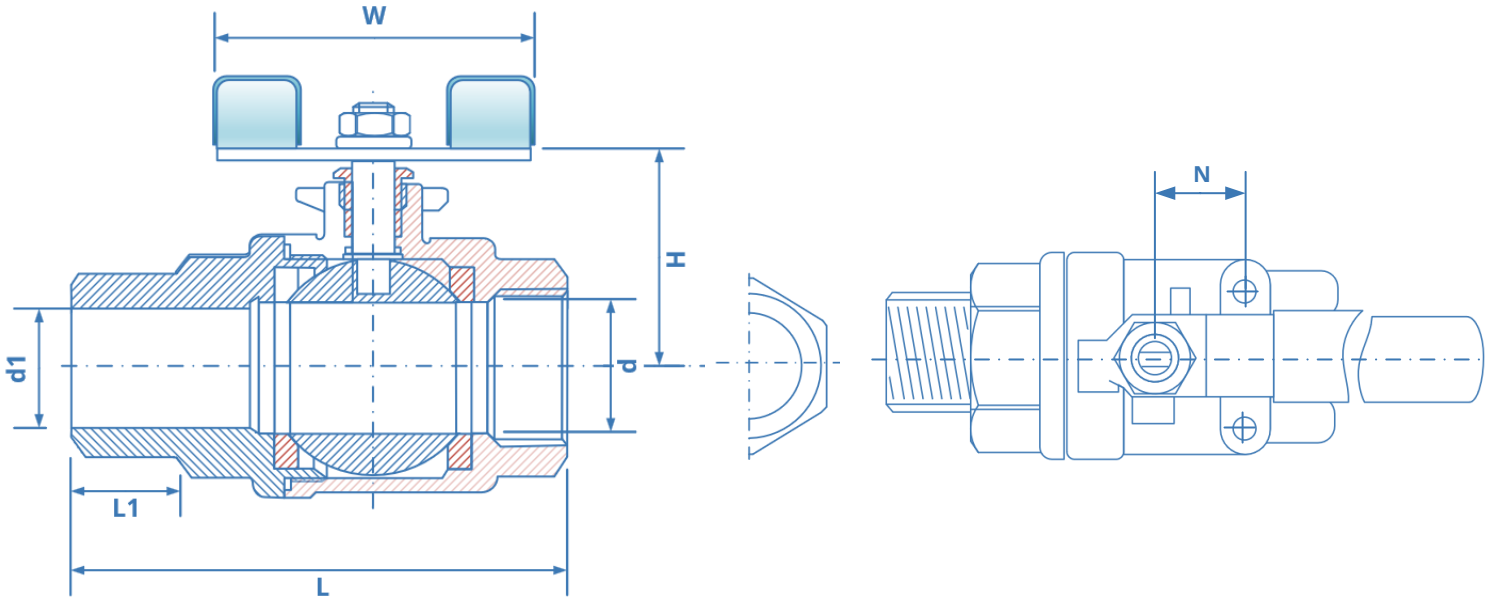


Description

Fabriqués en acier inoxydable CF8M, filetages à passage intégral et BSPP, sièges et joints en PTFE qui offrent un faible couple et un débit élevé. Cette vanne offre un fonctionnement sûr dans les applications d'isolement. Non maintenable. poignée à levier.
Température -10°C à 180°C



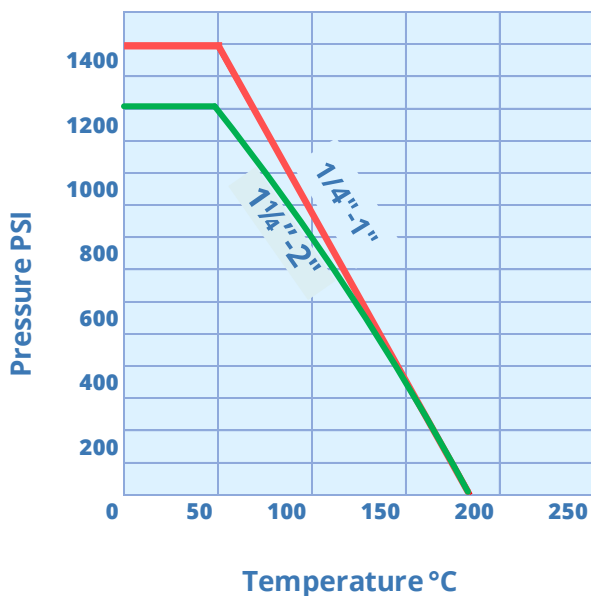
**ATEX Approved
Product**

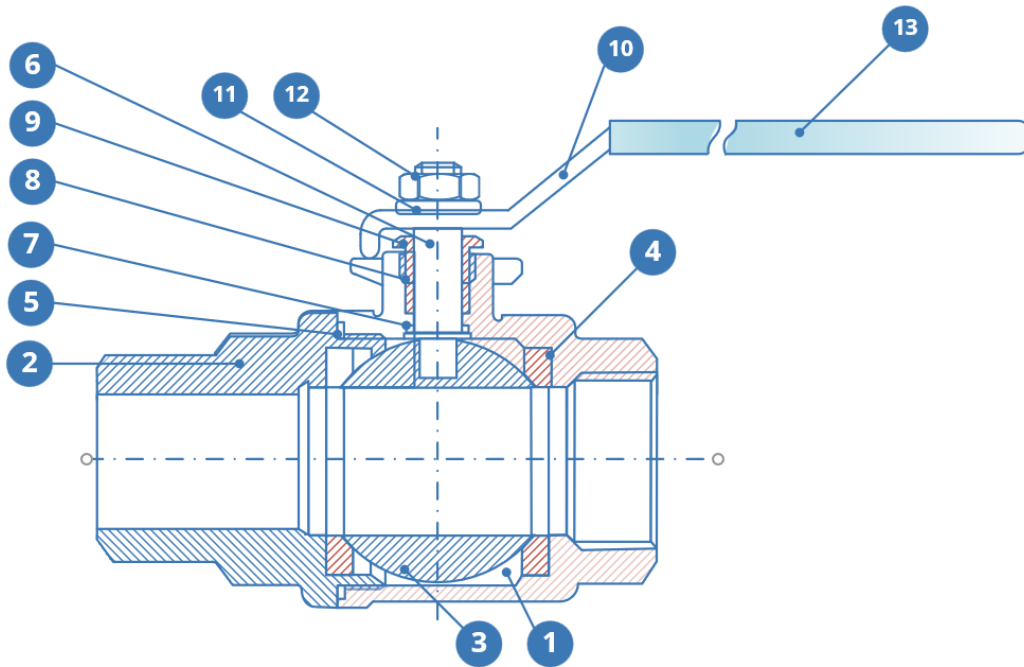


Dimensions

Size	d	d1	L	L1	H	W	S	S1	X	N	p	BL	Cv	kg
1/4"	11.6	7	58	12.6	51	99	16.5	10.2	5	12.5	28.5	5/16"	6.6	0.3
3/8"	12.7	8.5	59	13.2	51	102	16.5	10.2	5	12.5	28.5	5/16"	7.9	0.3
1/2"	15	12.5	68	16.7	53	102	16.5	10.2	5	12.5	28.5	5/16"	11.2	0.35
3/4"	20	17.5	78	18.2	59	122	20	13.5	6.5	21	34.8	3/8"	21	0.58
1"	25	23.6	99	21	73	157	23.5	16	8	22.5	34.8	7/16"	35	1.04
1 1/4"	32	30.8	112.4	23.5	78	135	23.5	16	8	23.5	38.1	7/16"	57	1.54
1 1/2"	38	36.6	114	23.5	91	191	25.5	17	9	23.5	38.1	1/2"	80	2.3
2"	50	47.5	151.7	27.8	99	165	25.5	17	9	23.5	38.1	1/2"	148	3.8

Pressure / Temperature Ratings





Technical and Parts List

No.	Part Name	Material
1	Body	ASTM A351Gr. CF8M
2	Cap	ASTM A351Gr. CF8M
3	Ball	ASTM A351Gr. CF8M
4	Ball Seat	2 x PTFE
5	Joint Gasket	PTFE
6	Stem	316 Stainless Steel
7	Thrust Washer	PTFE
8	Stem Packing	PTFE
9	Gland nut	304 Stainless Steel
10	Handle	304 Stainless Steel
11	Spring Washer	304 Stainless Steel
12	Stem Nut	304 Stainless Steel
13	Handle Sleeve	Plastic

Specification

Pressure range	PN63
Size	1/4" to 2"
Temperature range	minus 10°C to + 180°
Movement	90 deg turn
Thread	BSPF Male x Female

